



Technical data sheet

# EOS Moment Control W

## Sauna heater with integrated control unit. Wall-mounting model.

Sauna heater with built-in control unit and temperature sensor for dry (Finnish) sauna cabins. Perfect balance between strong air convection and a large rock volume up to 15 kg stones.

Recommended for private sauna cabins from 6 m<sup>3</sup> to 14 m<sup>3</sup>.

### Your advantages:

- Very simple and easy to use thanks to the integrated control.
- Integrated sensor - no separate installation, only power supply connection needed.
- Optimized construction with the well balanced air convection performance and 15 kg stone volume.
- Contemporary, timeless design with the elegant black finish housing and brushed steel top.
- Durable, robust construction - top, inner shell and rock store made of stainless steel.
- Made in Germany quality from EOS

### Specifications:

Outer shell:	Zinc-plated steel, with black finish (powder coating)
Inner shell:	Stainless steel
Cover / Rock store:	Stainless steel
Terminal box:	zinc-plated steel, in the bottom of the heater
Power output:	6.0 kW, 7.5 kW and 9.0 kW
Connection:	400 V AC 3N 50 Hz
Dimensions: (H x W x D) :	640* x 440 x 330 mm (*860 mm at 220 mm floor gap)
Rock store volume:	approx. 15 kg (Stones optionally available)
Installation:	wall-mounted heater



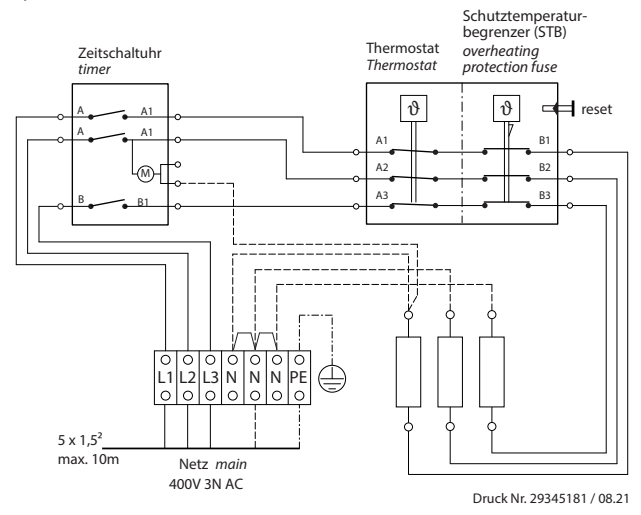
#### Built-in control unit

Heating time limit: 4 h  
Control range: 40 - 100 °C

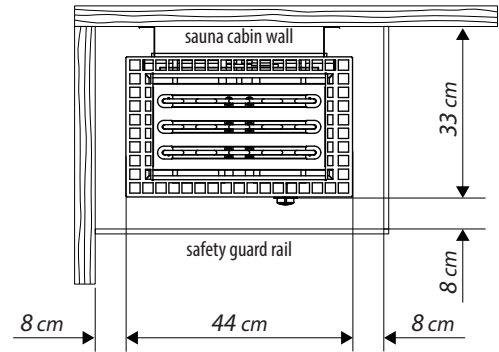
ERC CE IPx4 MADE IN GERMANY 

### Connection overview

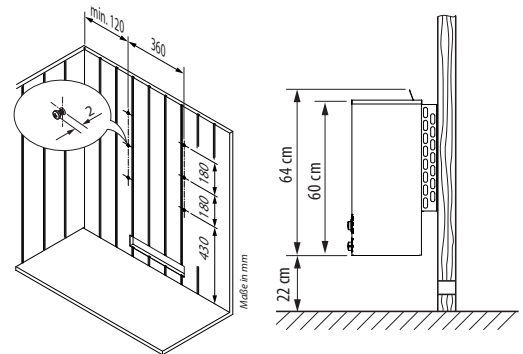
9,0 kW



### Minimum clearances



### Installation example



### Spare heating elements

Description	Item no.
Heating element for 9 kW (3 x 3000 W)	2001.6501

### Specifications

Item no.	Power output	Electrical connection	Fuse protection	Dimensions H/W/D, in cm	For sauna cabin size	Min. size air inlet and outlet	Weight without rocks	Connection heater - mains	Temperature control range	Power extension required
94.7582	9,0 kW	400 V 3N AC	3 x 16 A	64 / 44 / 33 (86*)	9 - 14 m <sup>3</sup>	35 x 6 cm	13,5 kg	5 x 1,5 mm <sup>2</sup> max. 10 m	40 - 100 °C	no

\* Installation height at 22 cm gap FFL.

All cross sections of a line are minimum diameters in mm<sup>2</sup> (copper wire), make sure to observe 15 cm ground clearance.