



Technical data sheet

EOS Moment W

**Sauna heater for private sauna cabins.
Wall-mounting model.**

Sauna heater for dry (Finnish) sauna cabins. Perfect balance between strong air convection and a large rock volume up to 15 kg stones.

Recommended for saunas from 6 m³ up to 14 m³.

Your advantages:

- Optimized construction with the well balanced air convection performance and 15 kg stone volume - provides quick heat-up times and ensures powerful water splash effect.
- Contemporary, timeless design with with a slightly curved outer shell and an elegant black finish.
- Durable, robust construction - top, inner shell and rock store made of stainless steel.
- Made in Germany quality from EOS

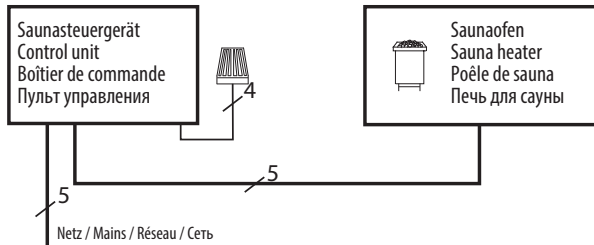
Specifications:

Outer shell:	Zinc-plated steel, with black finish (powder coating)
Inner shell:	Stainless steel
Cover:	Stainless steel, with black finish
Rock store:	Stainless steel
Terminal box:	zinc-plated steel, in the bottom of the heater
Power output:	6.0 kW, 7.5 kW and 9.0 kW
Connection:	400 V 3N AC 50 Hz
Dimensions: (H x W x D) :	640* x 440 x 330 mm (*860 mm at 220 mm floor gap)
Rock store volume:	approx. 15 kg (Stones optionally available)
Installation:	wall-mounted heater

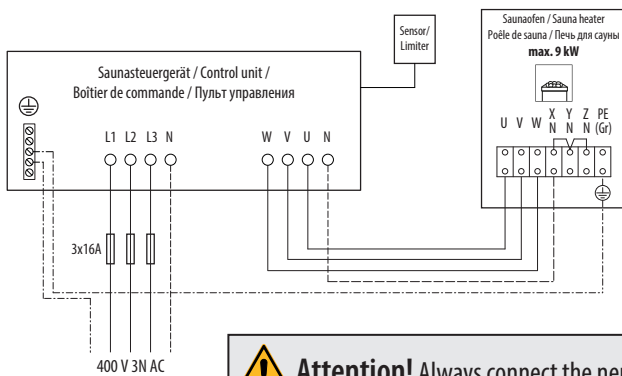


ERC CE IPx4 MADE IN GERMANY 

Connection overview

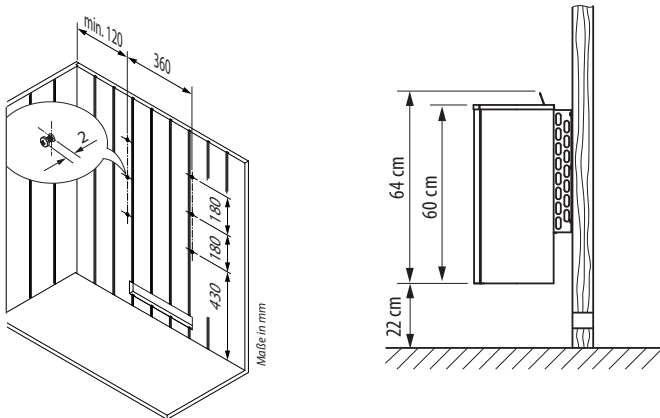


Connection example for EOS EmoTec / EmoStyle / EmoTouch control units

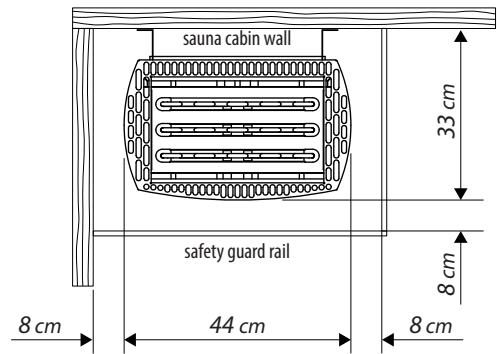


Attention! Always connect the neutral N wire!

Installation example



Minimum clearances



Suitable sauna control units

Model	Item no.
EOS Econ D1	94.6136
EOS Econ D2	94.6138
EOS Econ D3	94.6140
EOS Econ D4	94.5842
EOS EmoTec D series	
EOS EmoStyle D / Hi series	
EOS EmoTouch 3 series	

Spare heating elements

Description	Item no.
Heating element for 6,0 kW (3 x 2000 W)	2001.6499
Heating element for 7,5 kW (2 x 2500 W)	2001.6500
Heating element for 9 kW (3 x 3000 W)	2001.6501

Specifications

Item no.	Power output	Electrical connection	Fuse protection (control unit)	Dimensions H/W/D, in cm	For sauna cabin size	Min. size air inlet and outlet	Weight without rocks	Connection mains - control unit	Connection control unit - heater	Power extension required
94.6858	6,0 kW	400 V 3N AC 50 Hz	3 x 16 A	64 / 44 / 33 (86*)	6 - 8 m ³	35 x 5 cm	13 kg	5 x 2,5 mm ²	5 x 1,5 mm ²	no
94.6859	7,5 kW				7 - 10 m ³	35 x 6 cm				
94.6860	9,0 kW				9 - 14 m ³	35 x 6 cm				

* Installation height at 22 cm gap FFL.

All cross sections of a line are minimum diameters in mm² (copper wire), make sure to observe 15 cm ground clearance.