



# EOS Cubo Avantgarde

## Premium-class sauna heater for (dry) Finnish sauna.

Floor-standing sauna heater for dry sauna as an exclusive Avantgarde edition. Striking, distinctive design thanks to the stylish rock store extension frame with white quartz stones. The luxurious matt black finish on all sides perfectly completes the design – great for installation in the center or in front of glass panels.

### Your advantages:

- Exclusive, distinctive design with stylish rock store extension.
- Luxurious “matt black” finish on all sides including the top.
- Set of special white quartz stones included in delivery.
- Uniform appearance on all sides – perfect for installation in front of glass panel or in the center of the sauna.
- Compact size – only 38.5 cm / 1.3 ft depth.
- Made in Germany quality from EOS.

### Specifications:

Outer shell:	Matt black powder coated steel, scratch resistant, on all sides including the top.
Top with extension:	Stainless steel, matt black finish
Rock store:	Stainless steel, above heating elements
Terminal box:	Recessed in front wall panel, cable connection on the bottom side
Power output:	7.5, 9.0, 10.5 and 12.0 kW
Connection:	240V 2PH / 208V 3PH AC 60 Hz
Dimensions (HxWxD):	72 x 40 x 38.5 cm / 2.4 x 1.3 x 1.3 ft
Rock store:	Up to 35 kg / 77 lbs 10 kg / 22 lbs white quartz stones and 25 kg / 55 lbs classic stones incl. in delivery.
Installation:	Floor-standing



With special rock store extension frame and 10 kg / 22 lbs white quartz stones  
Mounting brackets for safety guard rail (4-sided) optional



**IPx4**

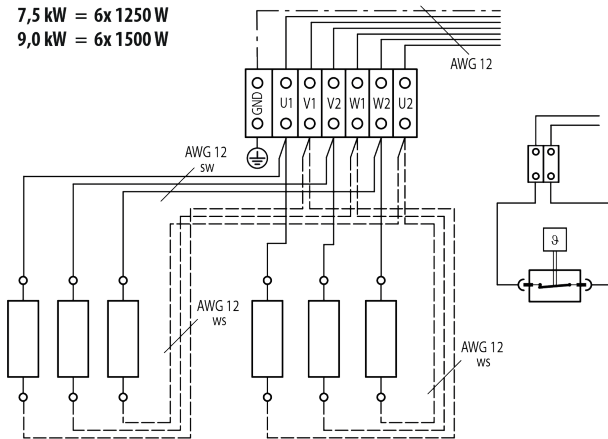
Made in Germany



## Connection overview

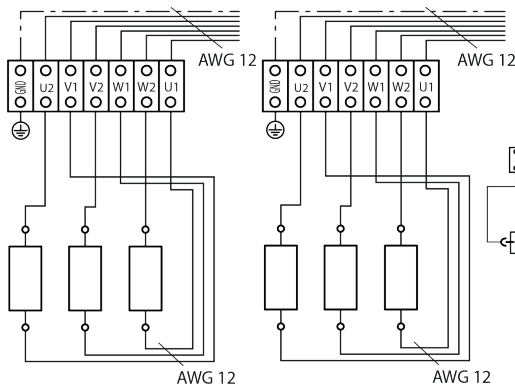
7.5 - 9 kW

7,5 kW = 6x 1250 W  
9,0 kW = 6x 1500 W

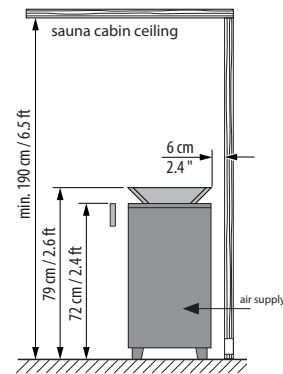
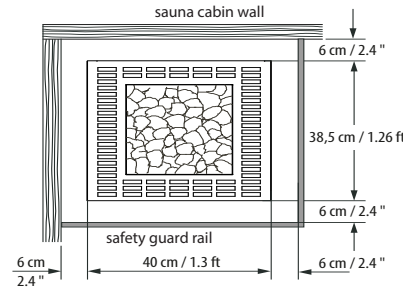


10.5 - 12 kW

10,5 kW = 3x 1500 W  
3x 2000 W  
12,0 kW = 6x 2000 W



## Minimum clearances



## Accessories (optional)

Description	Item no.
Mounting brackets for safety guard rail (without wooden rail)	94 8964

## Technical specifications

Power	Electrical connection	Item no. (208 V / 240 V)	Fuse protection (208 V / 240 V)	Connection line	Dimensions H/W/D	For sauna cabin size	Min. size air inlet and outlet	Weight without rocks	Stone filling
7.5 kW	208 V 3Ph AC 60 Hz 240 V 2Ph AC 60 Hz	94 7523 / 94 7527	30 A / 15 A	12 AWG	72 x 40 x 38.5 cm 2.4 x 1.3 x 1.3 ft	3.7 - 5.3 qm x 1.90 m 39.8 - 57 sq ft x 6.2 ft	35 x 5 cm 1.2 x 0,2 ft	28 kg 62 lbs	25 kg + 10 kg 55 lbs + 22 lbs
9.0 kW		94 7524 / 94 7528	35 A / 20 A			4.7 - 7.4 qm x 1.90 m 50.6 - 79.7 sq ft x 6.2 ft	35 x 6 cm 1.2 x 0,2 ft		
10.5 kW	208 V 3Ph AC 60 Hz	94 7525	20 A / -			5.8 - 7.9 qm x 1.90 m 62.4 - 85 sq ft x 6.2 ft	35 x 7 cm 1.2 x 0,3 ft		
12.0 kW		94 7526	25 A / -			7.4 - 9.5 qm x 1.90 m 79.7 - 102.3 sq ft x 6.2 ft			

All cross sections of a line are minimum diameters in mm<sup>2</sup> (copper wire).