



EOS Gracil W

Sauna heater for private sauna cabins. Wall-mounting model.

Slim design sauna heater for dry Finnish sauna. Very space-saving construction with only 27.5 cm / 0.9 ft depth. The Gracil W stands out through its sleek, straight-lined design and is a great match for modern upper-class saunas. For private use.

Your advantages:

- Very space-saving – only 27.5 cm / 0.9 ft total depth and only 3 cm / 0,1 ft gap to the wall.
- Durable brushed stainless steel top cover.
- Optional wooden safety guard rail.
- Dust and debris collecting tray at the bottom to keep sauna tidy.
- Full size 20 kg / 44 lbs rock store despite very shallow construction.
- Anthracite pearl effect finish. Also available with noble matt black finish.
- Made in Germany quality from EOS.

Specifications:

Outer shell:	Steel, with anthracite or matt black finish
Inner shell:	Steel
Cover:	Brushed stainless steel
Rock store:	Stainless steel
Terminal box:	Recessed inside main housing
Power output:	6.0 kW, 7.5 kW and 9.0 kW
Connection:	240V 2PH / 208V 3PH AC 60 Hz
Dimensions (H x W x D) :	74 x 50.5 x 27.5 cm / 2.4 x 1.6 x 0.9 ft
Rock store volume:	Approx. 20 kg / 44 lbs (Sauna stones optionally available)
Installation:	Wall-mounted heater



EOS Gracil W cover protection

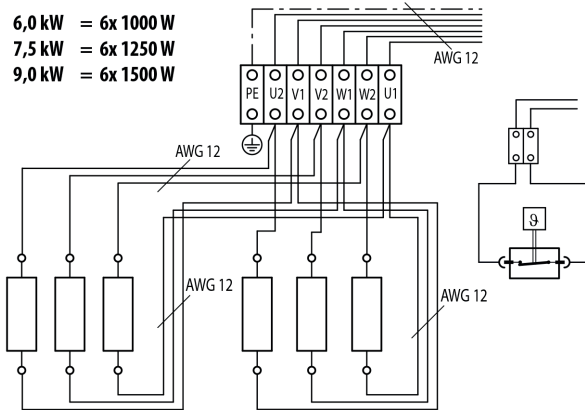


IPx4

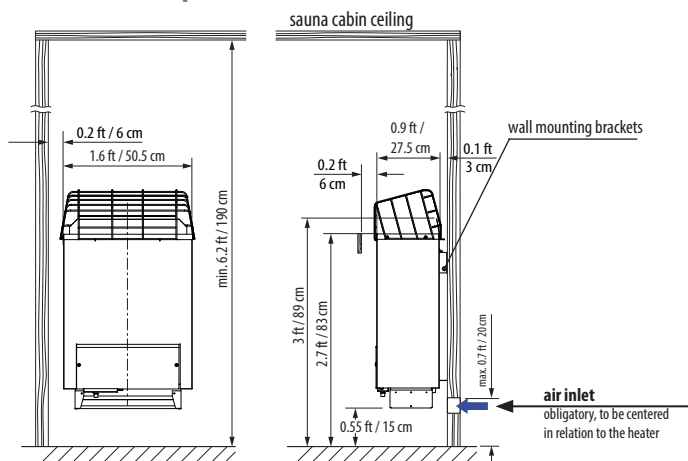
Made in Germany



Connection overview



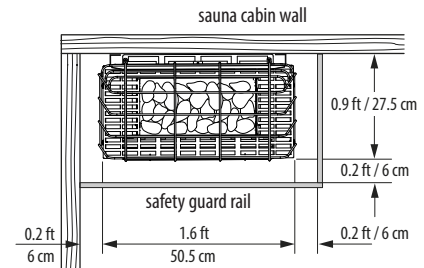
Installation example



Suitable sauna control units

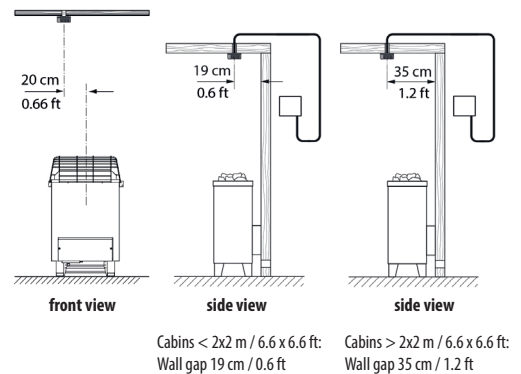
Model
EOS EmoTec D/H, 208 V 3N AC 60 Hz , 9,0 kW
EOS EmoTec D/H, 208 V 3N AC 60 Hz , 15,0 kW
EOS EmoTec D/H, 240 V 2N AC 60 Hz , 9,0 kW

Minimum clearances



Guard rail to be provided by the cabin manufacturer if not ordered with the heater. Heater should be secured to the wall.

Sensor installation



Accessories (optional)

Description	Item no.
Safety guard rail with mounting brackets	94 6970
Mounting brackets for safety guard rail (without wooden rail)	94 6972
Sauna stones: 20 kg / 44 lbs (Size: 5 - 10 cm / 0.1 - 0.3 ft)	94 7336

Electrical connection	Power output	Item no. (208 V / 240 V)	Fuse protection (208 V / 240 V)	Connection line (208 V / 240 V)	Dimensions H/W/D	For sauna cabin size	Min. size air inlet and outlet	Weight without rocks	Stone filling	Power extension required
208V 3PH AC 60 Hz	6.0 kW	94 7537 / 94 7540	20 A / 35 A	12 AWG / 10 AWG	74 x 50.5 x 27.5 cm 2.4 x 1.6 x 0.9 ft	3.2-4.5 m ² x 1.90 m 34.4-48.4 ft ² x 6.2 ft	35 x 5 cm 1.2 x 0.2 ft	20.5 kg 45.2 lbs	20 kg 44 lbs	no
	or	7.5 kW	94 7538 / 94 7541			25 A / 40 A		4.2 - 6.3 m ² x 1.90 m 45.2 - 67.8 ft ² x 6.2 ft		
240V 2PH AC 60 Hz	9.0 kW	94 7539 / 94 7542	35 A / 50 A	10 AWG / 8 AWG		4.7 - 7.4 m ² x 1.90 m 50.5 - 79.7 ft ² x 6.2 ft	35 x 6 cm 1.2 x 0.3 ft	21.5 kg 47.4 lbs		

All cross sections of a line are minimum diameters in mm² (copper wire), make sure to observe 15 cm / 0.6 ft ground clearance.