



EOS Invisio Midi

Sauna heater for concealed installation under the sauna benches.

Sauna heater for dry Finnish sauna. Special construction for concealed installation under the sauna benches. Includes safety grill and water infusion set.

Your advantages and benefits:

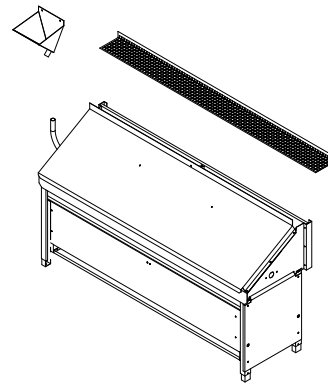
- Space-saving design – only a 10 cm (4") gap to the screen wall, provides additional bench space in the cabin.
- High user safety thanks to the concealed installation.
- Traditional water splashes possible – water infusion set with stainless steel funnel is included.
- Includes safety grill – reliable protection against objects falling down on the heater.
- Optimized heating performance thanks to the special position of heating elements – for faster heat-up times.
- Adjustable height (+/- 6 cm / 0.2 ft).
- Made in Germany quality from EOS

Specifications:

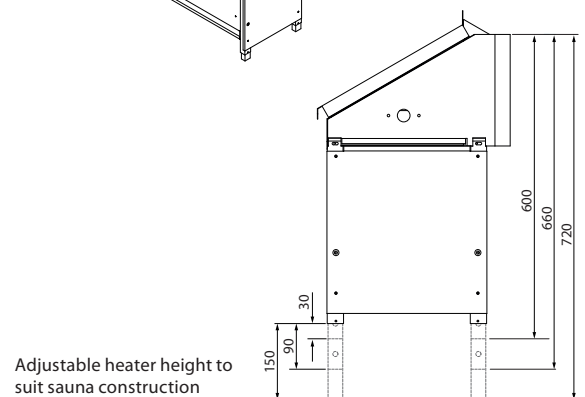
Outer shell:	Zinc-plated steel, stainless steel top cover and feet
Inner shell:	Zinc-plated steel
Water splash gutter:	Stainless steel
Terminal box:	Recessed in the side panel
Power range:	6.0, 9.0 and 12.0 kW
Electrical connection:	240V 2PH / 208V 3PH AC 60 Hz
Rock store volume:	approx. 20 kg / 44 lbs (Sauna stones optionally available)
Dimensions (HxWxD): height adjustable	• Height: 710-770 mm / 2.3-2.5 ft • Width: 1160 mm / 3.8 ft • Depth: 380 mm / 1.25 ft
Installation:	Under the benches



Important note:
Included cover protection grill is an integral part of the sauna heater and must be installed in either case.



Includes
• cover protection grill
• water-splash kit



IPx4

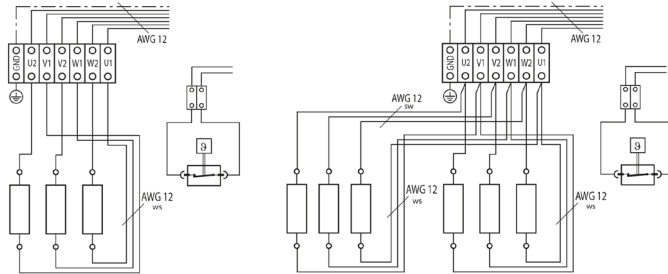
Made in Germany



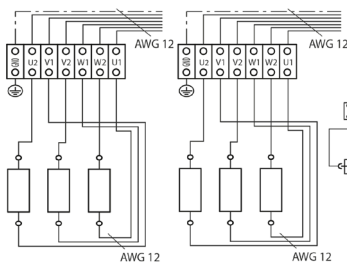
Wiring scheme

6.0 kW = 3 x 2000 W

9.0 kW = 6 x 1500 W

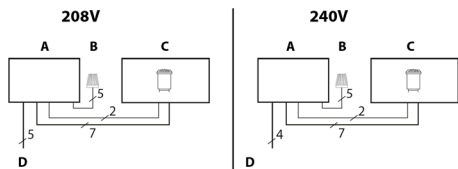


12.0 kW = 6 x 2000 W



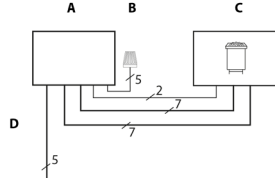
Connection diagram

6.0 kW - 9.0 kW



A Control unit
B Safety temperature limiter (STB)
C Heater
D Mains connection

12.0 kW



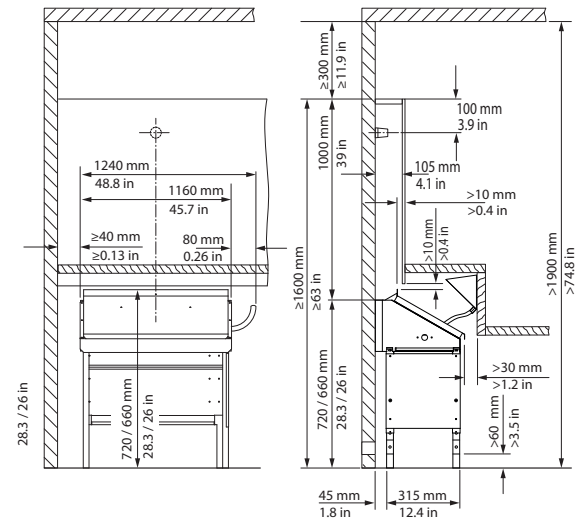
Technical specifications

Power	Electrical connection	Connection line (208 V / 240 V)	Fuse protection (208 V / 240 V)
6,0 kW	208 V 3Ph AC 60 Hz	12 AWG	25 A / 15 A
9,0 kW	240 V 2Ph AC 60 Hz		35 A / 20 A
12,0 kW	208 V 3Ph AC 60 Hz		25 A (only 208 V)

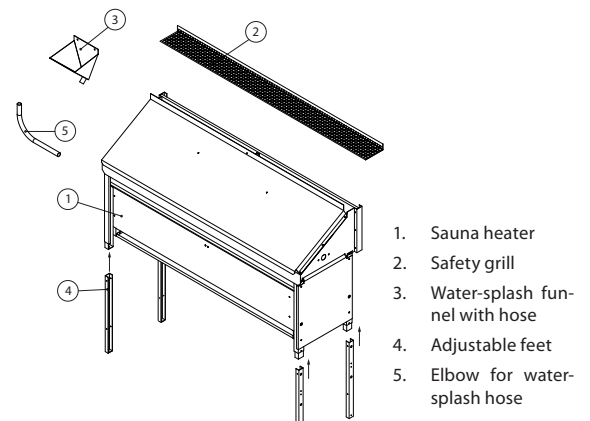
All cross sections of connection cables are min. diameters in mm² (copper wire)

Power	Electrical connection	Dimensions, HxWxD	For sauna cabin size	Min. size of air intake and outlet	Weight without stones and packing	Stone filling
6.0 kW	208 V 3Ph AC 60 Hz 240 V 2Ph AC 60 Hz	Height: 710-770 mm / 2.3-2.5 ft	3,2-4,2 qm x 1,90 m 34,5-45,2 sq ft x 6,2 ft	35 x 5 cm 1,2 x 0,2 ft	24 kg 53 lbs	20 kg 44 lbs
9.0 kW		Width: 1160 mm / 3.8 ft	4,7-7,4 qm x 1,90 m 50,6-79,7 sq ft x 6,2 ft	35 x 6 cm 1,2 x 0,2 ft	25 kg 55 lbs	
12.0 kW	208 V 3Ph AC 60 Hz	Depth: 380 mm / 1.2 ft	7,4-9,5 qm x 1,90 m 79,7-102,3 sq ft x 6,2 ft	35 x 7 cm 1,2 x 0,3 ft	27 kg 60 lbs	

Safety gaps



Delivery scope



Suitable sauna control units

Model
EOS EmoTec D/H, 208 V 3N AC 60 Hz, 9.0 kW
EOS EmoTec D/H, 208 V 3N AC 60 Hz, 15.0 kW
EOS EmoTec D/H, 240 V 2N AC 60 Hz, 9.0 kW