



Technical data sheet

EOS Picco W

**Sauna heater for domestic sauna cabins.
Wall-mounting model.**

Compact sauna heater for dry Finnish sauna. Classic, timeless design with outer shell in chrome steel, anthracite pearl effect or matt black finish. Ideal for small domestic saunas.

Your advantages:

- Compact, space-saving construction.
- Only 21,5 cm depth.
- ~10 kg large rock store for water infusions.
- Available in two versions with three exterior designs.
- Optional feet allows floor-standing installation.
- Including 3,5 m connection cable.
- Made in Germany quality from EOS.

Specifications:

Outer shell:	polished chrome steel, matt black or anthracite pearl effect finish
Inner shell:	Stainless steel
Rear wall:	Stainless steel
Stone support grill:	Stainless steel
Terminal box:	Stainless steel
Power rating:	3,0 / 3,5 kW
Power supply:	230 V 1N AC 50 Hz
Stone filling:	~10 kg, incl. in delivery
Dimensions (HxWxD):	500 x 300 x 215 (*230) mm
Installation:	Wall-mounted heater or floor-standing heater with optional feet

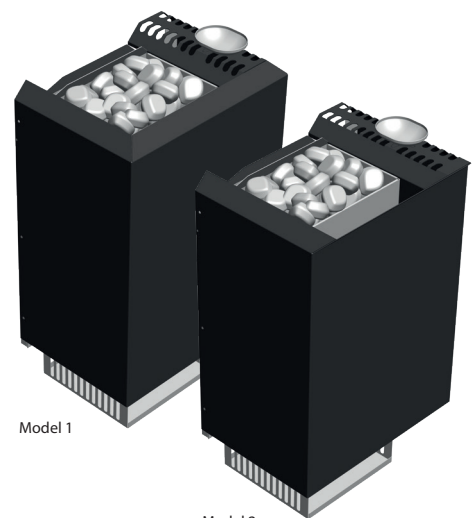
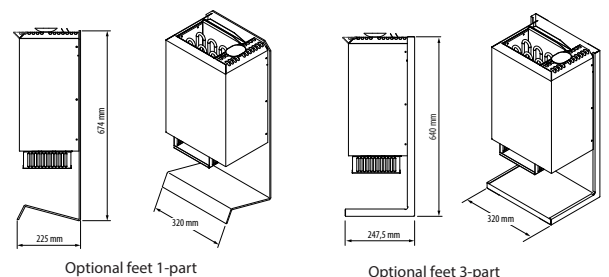
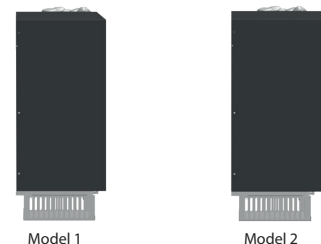


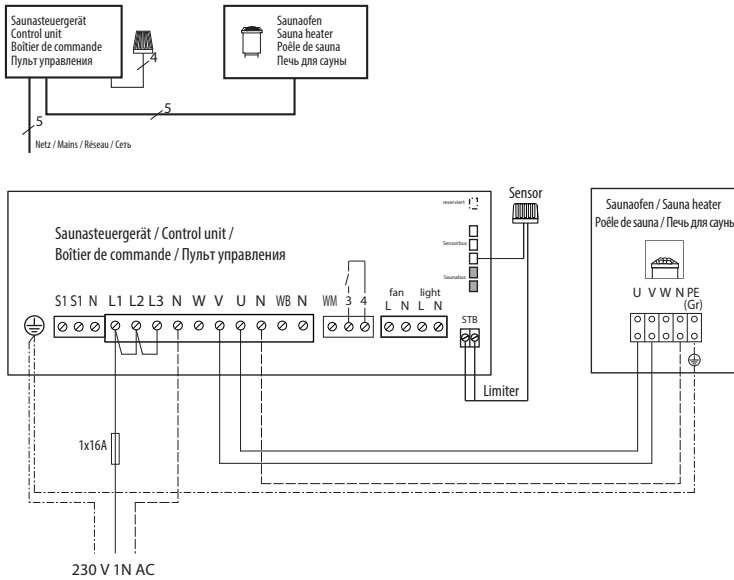
image similar



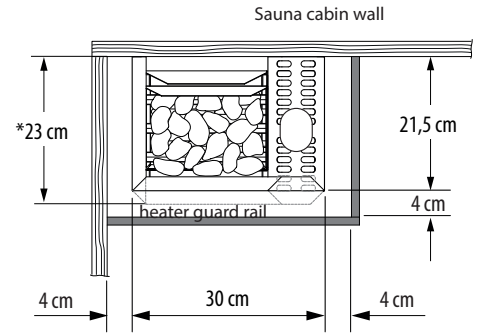
EAC CE IPx4 MADE IN GERMANY 

Connection diagram

3,0 + 3,5 kW



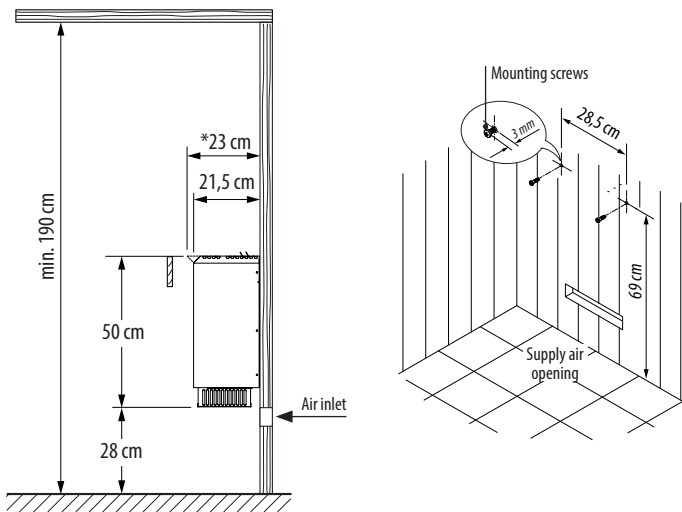
Minimum clearances



Accessories and Spare parts

Description	Item no.
Feet 1-part (black)	94.7631
Feet 3-part (black)	94.7633
Feet 1-part (anthracite)	94.7632
Feet 3-part (anthracite)	94.7634
Heating element (1500W)	2000.8085
Heating element (2000W)	2000.8086

Installation example and construction



Suitable sauna control units

Model	Item no.
EOS Econ D1	94.6136
EOS Econ D2	94.6138
EOS Econ D3	94.6140
EOS Econ D4	94.5842
EOS Compact DP / DC	94.7431 / 94.7433
EOS EmoTec D	94.5559
EOS EmoStyle D / Hi	94.6316 / 94.6317
EOS EmoTouch 3	94.6505

Technical specifications

Power output	Exterior	Electrical connection	Fuse protection (control unit)	Connection mains- control unit	Connection control unit - heater	Unit dimensions H/W/D, in cm	For sauna cabin size	Min. size air inlet and outlet	Weight without rocks	Stone filling	Power extension required
3,0 kW	chrome steel/ anthracite pearl effect/ matt black finish	230 V 1N AC 50Hz	1 x 16 A	3 x 1,5 mm ²	4 x 1,5 mm ²	50 / 30 / 21,5 (*23)	~ 3 - 4 m ³	20 x 4 cm	8 kg	~10 kg	no
3,5 kW							~ 3 - 4,5 m ³				

All cross sections of a line are minimum diameters in mm² (copper wire)

*Model 2

Druck-Nr.: 29345205 36.21

Technical changes reserved