

# EOS Pipe Control

## Sauna heater with built-in control unit. Wall-mounting model.

Luxurious compact wall-mounting sauna heater for a traditional dry Finnish sauna. Easily accessible control unit on the front side.

Thanks to only 22 cm diameter Pipe Control is very place saving, yet boasts with a 10 kg large rock basket. The installation is possible on a sauna wall or in corners.

### Benefits and advantages:

- Elegant, stylish round-shape design.
- Matching design safety guard rail mounted directly on the heater (optional accessory).
- Slim, place-saving design - only 22 cm diameter.
- Integrated control unit on the front side. Regulation knobs cut of solid aluminium. Simple and easy operation.
- Very durable construction made of 4 mm stainless steel with precise 3D laser-cut openings.
- Easy to mount on a wall or in corners.
- Made in Germany quality from EOS.

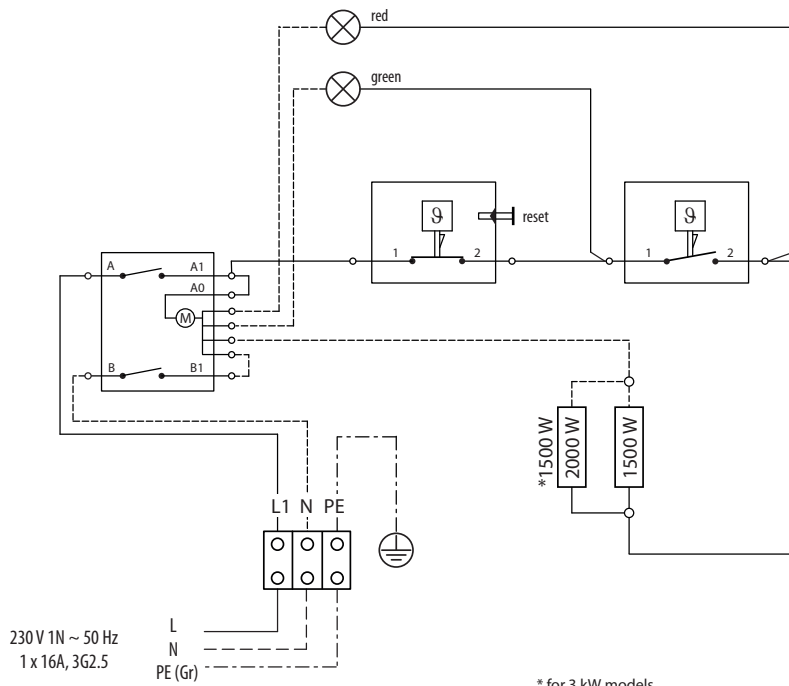
### Specifications:

Housing:	4 mm stainless steel, choice of matt black, anthracite or rust brown finishes
Safety guard rail:	Stainless steel, matching finish (optional)
Stone compartment:	Chrome steel
Stone volume:	10 kg, included in delivery
Power:	3.0 kW or 3.5 kW
Power supply:	230 V 1N ~ 50 Hz
Dimensions:	Ø22 x 80 cm, 25 cm total depth
Control range:	40 - 110 °C, built-in high limiter 139 °C
Heating time:	max. 4 hours
Mounting:	Wall-mounting, installation on a wall or in corners possible.



Example: EOS Pipe Control with matt black finish and optional guard rail

## Connection and inner wiring diagram



## Spare parts

Description	Item no.
Heating element for 3,0 kW (1500 W)	2001 7027
Heating element for 3,5 kW (2000 W)	2001 6544
Timer unit 4h	2000 4317
Thermostat	2001 1466
Temperature limiter	2001 2457
Regulation knob	2001 7346

## Technical specifications

Power output	Electrical connection	Fuse protection (control unit)	Dimensions H/W/D, in cm	For sauna cabin size	Min. size of air inlet and outlet	Weight without rocks	Stone filling	Connection mains sauna heater	Temperature-adjustment range
3.0 kW	230 V N ~ 50 Hz	1 x 16 A	Ø20 x 80 cm 25 cm total depth	approx. 3 - 4 m <sup>3</sup>	20 x 4 cm	25.5 kg	approx. 10 kg	3 x 2,5 mm <sup>2</sup>	40 - 110 °C
3.5 kW				approx. 3 - 4.5 m <sup>3</sup>					

All cross sections of a connection cables are minimum diameters in mm<sup>2</sup> (copper wire). Make sure to observe the ground clearance.

## Minimum clearances

