

EOS Thermat W

Sauna heater for domestic sauna cabins. Wall-mounting model.

Versatile sauna heater for the Finnish (dry) sauna. Thanks to the top cover made of die-cast aluminium with anthracite pearl effect coating Thermat heaters offer a timeless, elegant design.

Your advantages:

- Versatile sauna heater for dry Finnish sauna.
- Timeless, contemporary design.
- Optimal relation between stone volume and air convection capacity for fast heat-up times and good water splashing performance.
- Proven, durable construction with long-life heating elements.
- Scratch resistant anthracite pearl effect powder-coating.
- Only 4 cm gaps to flammable materials on the sides.
- Made in Germany quality from EOS.

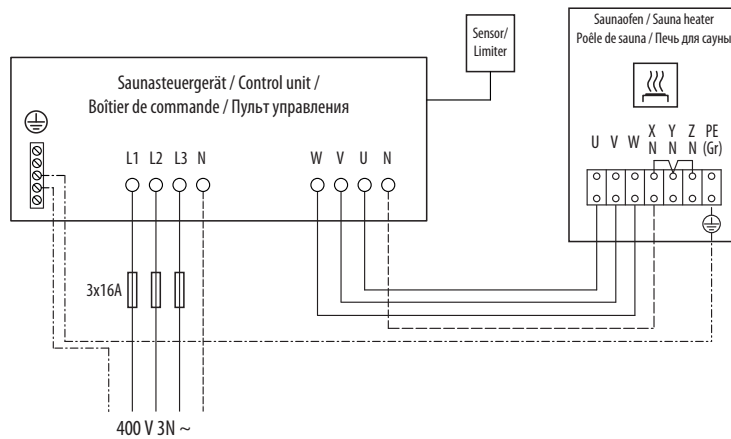
Specifications:

Outer shell:	Steel with anthracite pearl effect powder-coating (scratch-resistant)
Inner shell:	Corrosion-resistant aluminium-coated steel
Top:	Aluminium die-cast top, anthracite pearl effect coated
Rear wall:	Zinc-plated steel
Stone support grill:	Stainless steel
Terminal box:	Zinc-plated steel, corrosion-resistant
Power range:	4.5, 6.0, 7.5 and 9.0 kW
Power supply:	400 V 3N ~ 50/60 Hz
Size (HxWxD):	580 x 375 x 380 mm
Rock store volume:	approx. 15 kg (Sauna stones optionally available)
Installation:	Wall mounting



Precise assembly - durable die-cast aluminium top

Connection diagram



Spare parts

Description	Item no.
Heating element for 4,5 kW (1500W)	2000.8085
Heating element for 6,0 kW (2000 W)	2000.8086
Heating element for 7,5 kW (2500 W)	2000.8084
Heating element for 9,0 kW (1500 W)	2000.8085

Suitable sauna control units

Modell
EOS Econ D serie
EOS Compact D series
EOS EmoTec D series
EOS EmoStyle D / Hi series
EOS EmoTouch 3 series
EOS Command

Technical specifications

Item no.	Colour	Power output	Electrical connection	Fuse protection (control unit)	Dimensions H/W/D, in cm	For sauna cabin size	Min. size air inlet and outlet	Weight without rocks	Connection mains - control unit	Connection control unit - heater	Power extension required
94.5479	Anthracite pearl effect	4,5 kW	400V 3N ~ 50 / 60 Hz	3 x 16 A	58 / 37,5 / 38	4 - 6 m ³	35 x 3 cm	11,0 kg	5 x 2,5 mm ²	5 x 1,5 mm ²	no
94.5480		6,0 kW				6 - 8 m ³	35 x 4 cm	11,5 kg			
94.5481		7,5 kW				7 - 10 m ³	35 x 5 cm	12,0 kg			
94.5482		9,0 kW				9 - 14 m ³	35 x 6 cm	12,5 kg			

All cross sections of a line are minimum diameters in mm² (copper wire), make sure to observe 18 cm ground clearance.

Minimum clearances

