



EOSafe D

Safety system for sauna cabins with remote control or automatic switching

Safety system for saunas based on door supervision with RFID technology ensures that the sauna can be only switched on in safe condition. After the obligatory visual check the safe condition of the sauna heater should be confirmed with the special RFID tag by holding it close to the RFID element at the door frame and the door closed.

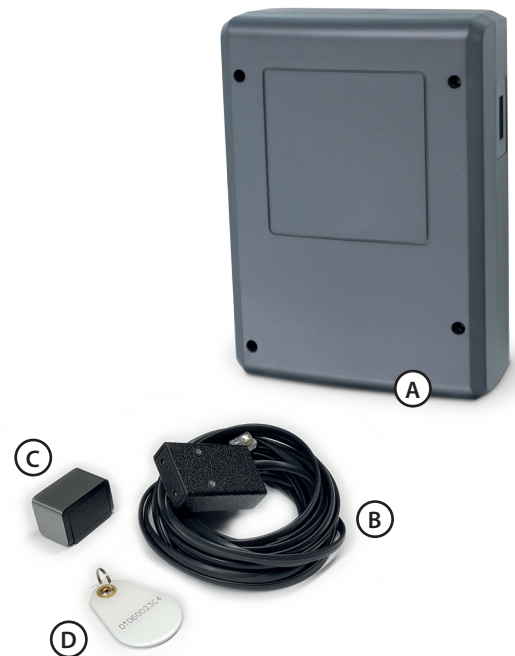
If the door remains closed, sauna can be switched remotely (or with the timer). If the door is opened after the system has been activated or within the first 10 minutes upon switching of the heating, then the heating will be stopped (or cannot start). This ensures that the sauna heater cannot be started in unsafe condition.

Advantages and benefits:

- Door supervision with reliable detection if the sauna door has been opened after the activation.
- Fast and simple contactless activation with a compact RFID tag after a visual inspection of the sauna (sauna heater).
- Compatible with all EOS sauna control units.
- Ideal for glass doors. Installation on wooden doors possible.
- Convenient setup directly in the main electronic unit or in the EmoTouch 3 control panel submenu.
- VDE Approved safety, complies with the latest EU safety norms.
- Made in Germany - Qualität von EOS.

Specifications:

Components:	Central unit, RFID unit with cable and door magnet (door mount), 2 RFID tags
Ambient temperature by operation:	-10 °C to 40 °C
by storage:	-20 °C to 60 °C
Power supply:	230 V 1N AC 50 Hz



Scope of delivery:

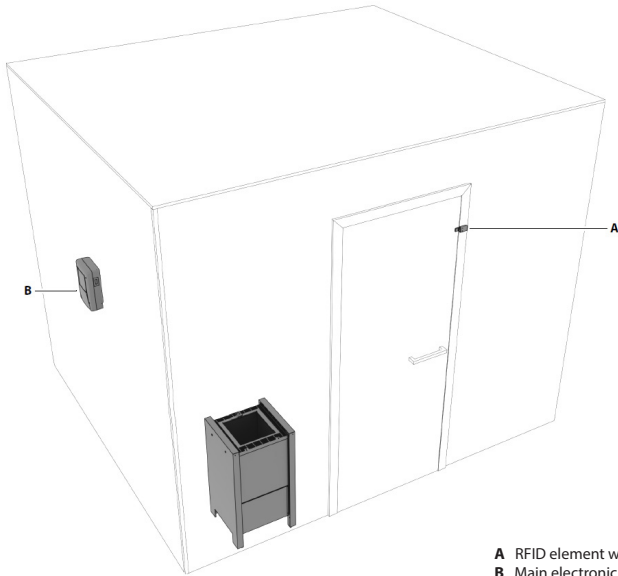
- A. Central EOSafe electronic unit
- B. RFID element with cable (mounts on door frame)
- C. Magnet with housing (mounts on glass sheet)
- D. RFID tag (2 pcs included).

Suitable EOS sauna control units:

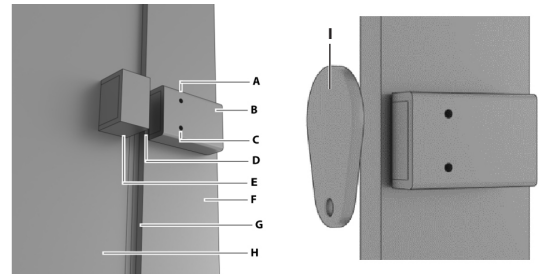
- Econ series
- EmoTec series
- EmoStyle series
- EmoTouch 3 (sauna)

CE IPx4 MADE IN GERMANY 

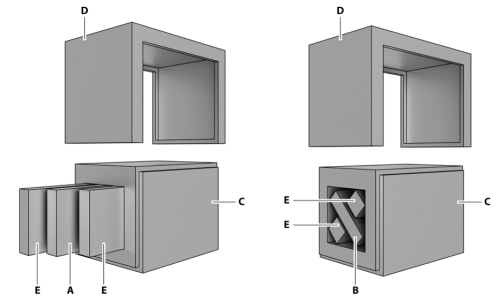
Installation overview and components



A RFID element with door magnet
B Main electronic unit EOSafe D/L

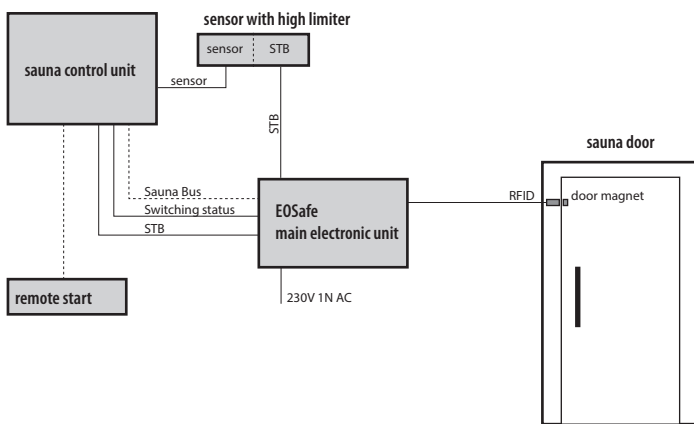


A. LED green
B. RFID unit
C. LED red
D. Door gap
E. Door magnet
F. Door frame
G. Frame elevation
H. Door glass
I. RFID tag



A. Magnet vertically placed
B. Magnet diagonally placed
C. Magnet housing
D. Magnet housing cover
E. Magnet distance holders

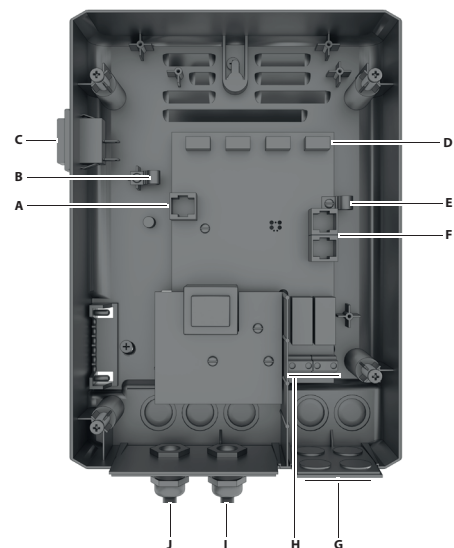
Connection overview



Accessories (optional equipment)

Accessories EOSafe L/D	Item no.
Connection cable Sauna Bus 10 m (RJ12/RJ12)	94.5861
Connection cable Sauna Bus 25 m (RJ12/RJ12)	94.4647
Connection cable Sauna Bus 50 m (RJ12/RJ12)	94.4648
Coupler for RJ12 connections (1 input / 2 outputs)	2001.5298

Accessories EOSafe L/D	Item no.
RFID unit (door supervision)	94.6993
RFID-Tag K4 (transponder)	2001.6438



A. Connector for RFID unit
B. Cable stain relief
C. Main on/off switch
D. Connector for light ray unit
E. Cable stain relief
F. Sauna Bus connector
G. Cable gland for light ray unit,
RFID unit, Sauna Bus cable
H. Connector for high limiter circuit (STB)
I. Cable glad - power supply connection
J. Cable gland - sauna control unit connection