



# Speakers

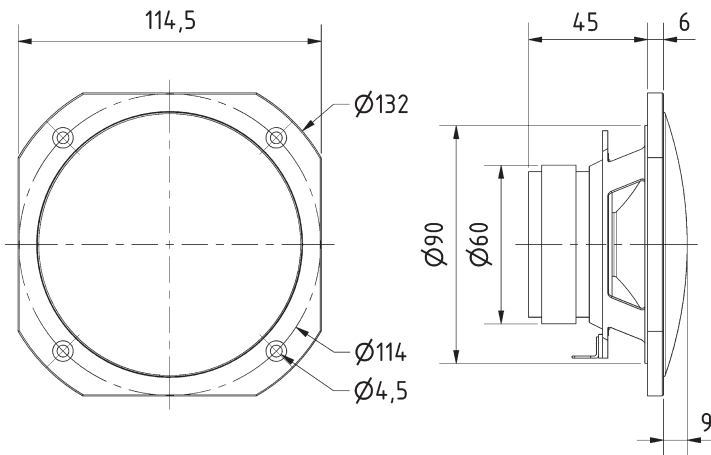
## 10 cm (4") fullrange driver

with glas fibre cone, plastic basket and grille. Balanced frequency response, high efficiency and good high-midrange reproduction.

- Suitable for operation in sauna cabins
- 120°C temperature resistant
- long time weather proved
- suitable for outdoor applications, seawater proof
- up to the standards of the Germanischer Lloyd (*requirements for electrical equipment/low temperature*)
- protection class IP 65
- Plastic: PC (UL 94: V-0)



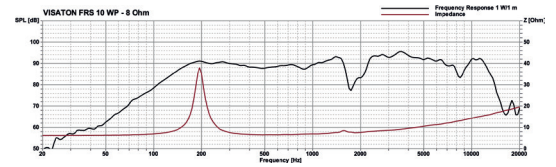
## Assembly dimensions



## Technical Data

Rated power	25W
Maximum power	50W
Impedance	8 $\Omega$
Frequency response (-10 dB)	90 - 19000 Hz
Mean sound pressure level	90 dB (1 W/1 m)
Excursion limit $x_{\text{mech}}$	$\pm 3$ mm
Resonant frequency	190 Hz
Height of front pole-plate	3 mm
Voice coil diameter	20 mm $\varnothing$
Height of winding	5 mm
Cut-out diameter	92 mm $\varnothing$
Net weight	0,36 kg
Art. No.	94 5429

## Frequency response



## Directional diagram

