



Technical Data Sheet

Junction box

For connection of 400V 3N equipment to 230V 1N power supply

The compact wall-mounting unit allows to connect 400V 3N sauna heaters to 230V 1N power supply. Thanks to the integrated fuses all three incoming phases are individually protected with 16 A.

Your benefits:

- Fast, simple installation and connection.
- Compact, place-saving design.
- Safe and norm compliant connection.
- Integrated fuses 3 x 16 A.
- Made in Germany quality.

Specifications:

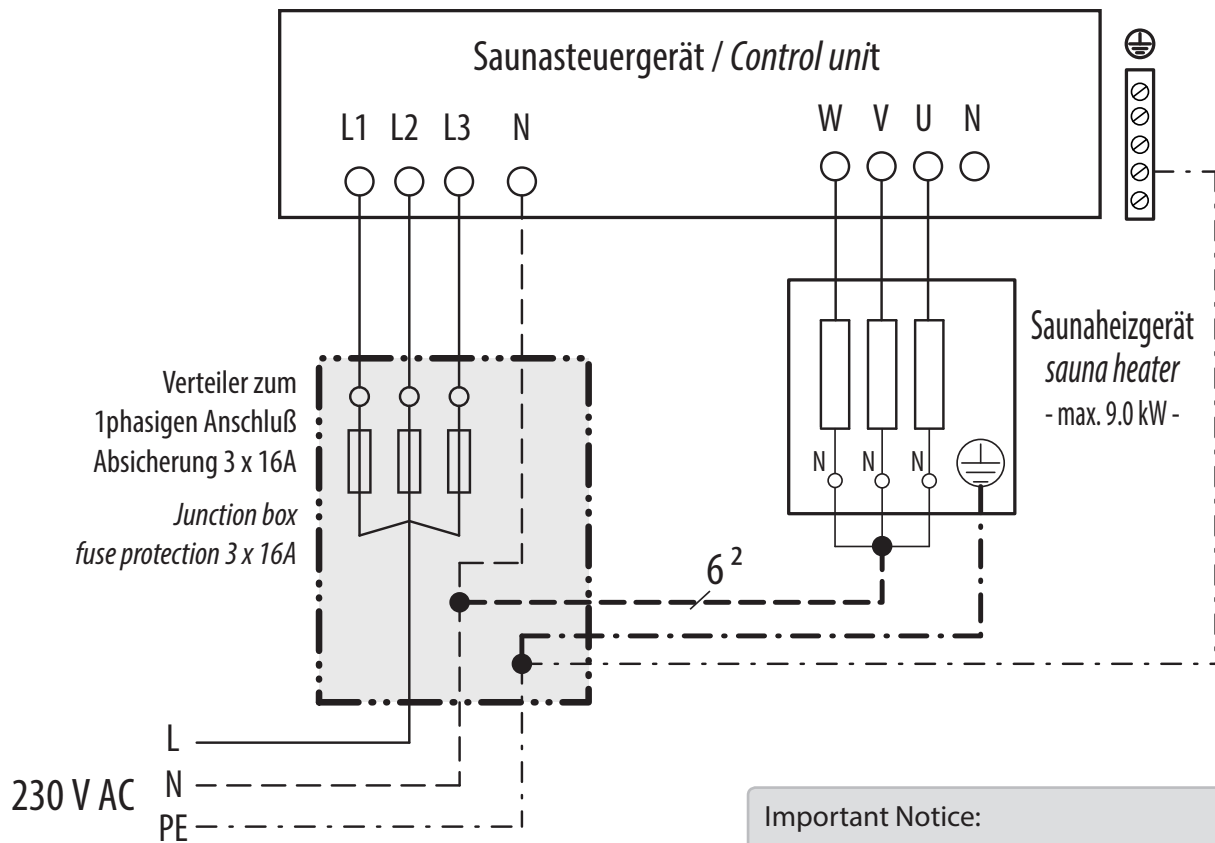
Housing:	Plastic, white, with opening transparent lid, incl. cable glands
Dimensions:	229 x 120 x 98 mm
Switching capacity:	up to 9 kW resistive load
Power supply:	230 V 1N AC 50 Hz
Installation:	Wall-mounting



CE ENEC IPx4 MADE IN GERMANY 

Technical changes reserved

Connection diagram



Important Notice:
Please pay attention that the sauna heater should be suitable for connection to 230V 1N AC power supply. Ensure that the inner N wires have the appropriate core diameter to suit the power load.

Notice

ATTENTION!

The N and PE lines from the sauna heater must not be connected to the sauna control unit. The N and PE lines should be connected directly to the N and PE of the power supply. The N line will carry the fully power load.

Make sure to select the appropriate connection cable for N and PE lines to suit the power load.

Item no.	Power supply	Switching capacity	Fuse protection	Dimensions H x W x D	Ambient temperature range by operation	Weight without packing, approx.
94.2689	230 V 1N AC 50Hz	9,0 kW resistive load	3 x 16 A	229 x 120 x 98 mm	-10 to +40 �C	1,0 kg