

# EOS Compact D18

## Sauna control unit for dry sauna operation with 18 kW capacity

Electronic control unit for dry (Finnish) sauna operation.

Compact D18 stands out through 18 kW switching capacity and combines advanced features with great simplicity in use. Great for commercial use.

### Your advantages:

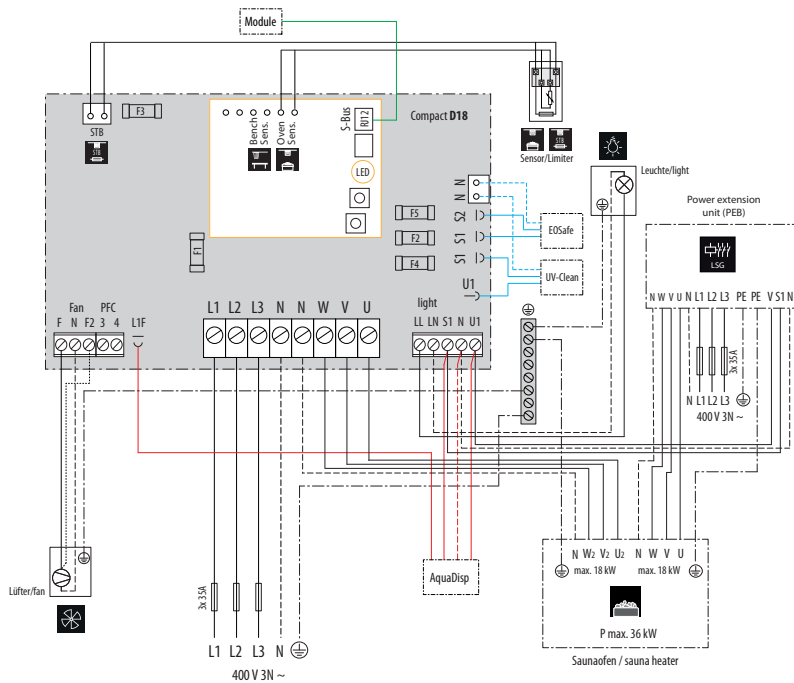
- Easy to use thanks to the 3,5" TFT colour display and direct access to all essential functions.
- Modern design housing in two finishes.
- 18 kW capacity in one unit - ideal for heaters up to 18 kW.
- Flexible installation - recessed or on-surface mounting.
- 4 user profiles with pre-programmed settings.
- Potential-free output (PFC) with various switching options.
- Numerous additional functions via extensions, e.g. remote control, energy saving and others.
- Made in Germany quality by EOS.

### Specifications and features:

|                          |   |
|--------------------------|---|
| Housing:                 | Plastic, white or anthracite design   |
| Temperature control:     | 30 - 115 °C   |
| Heating time limitation: | 6 h, 12 h, 18 h or unlimited  |
| Time pre-selection:      | yes, up to 24 h   |
| Dimensions (HxWxD):      | 220 x 255 x 90 mm   |
| Switching capacity:      | 18 kW, extendable   |
| Light output:            | 230V N ~, dimmable or<br>24DC for Meanwell PWM drivers  |
| Fan output:              | 230V N ~, adjustable  |
| Power supply:            | 400 V 3N ~ 50/60 Hz   |
| Installation:            | Wall-mounting or semi-recessed  |
| Other functions:         | EOSafe support, access restriction, remote start, BMS integration (KNX/Modbus), Eco / Hot function, dry contact, error messages and others. |



## Connection overview



The connection example shows various optional equipment and demonstrates the connection with an optional power extension box (PEB).

Sauna heaters up to 18 kW require single-circuit design (PEB unit not needed).

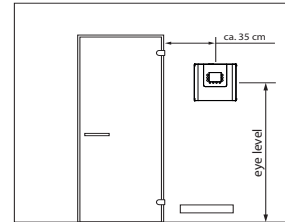
## Options and extensions

| Description  | Item no. |
|--|----------|
| Remote start module with push-button SBM-Remote      | 94.5782  |
| Remote control module for KNX systems SBM-GLT-KNX    | 94.7078  |
| Remote control module for Modbus systems SBM-GLT-Mod | 94.7077  |
| SBM-Hot module for HOT Function (power boost)        | 94.6800  |
| SBM-Eco module for ECO Function (power save)         | 94.6980  |
| Extra-long "sauna bus" RJ12 connection cable 25 m    | 94.4647  |

## Technical specifications

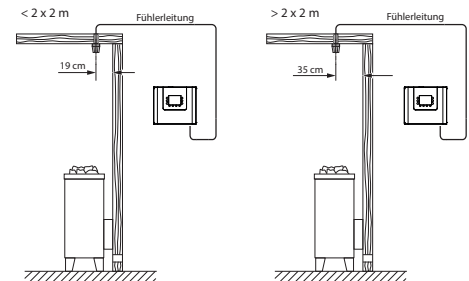
| Item no. | Colour     | Electrical connection  | Switching capacity   | Power extension via PEB unit | Temper. control range | Output for light and fan | Heating time limitation | Dimensions H/W/D in cm | Ambient temperature in operation | Weight without packing |
|----------|------------|------------------------|----------------------|------------------------------|-----------------------|--------------------------|-------------------------|------------------------|----------------------------------|------------------------|
| 94.7447  | anthracite | 400 V 3N ~<br>50/60 Hz | 18 kW,<br>extendable | yes                          | 30 - 115 °C           | yes / yes                | 6 h, 12 h, 18 h, ∞      | 22 / 25,5 / 9          | -10 to +40 °C                    | 2,5 kg                 |
| 94.7445  | white      |                        |                      |                              |                       |                          |                         |                        |                                  |                        |

## Place of installation



## Sensor installation

For saunas:



Make sure to also check the installation manual of the sauna heater. It may contain deviating instructions for sensor position.

## Spare parts and accessories

| Description                        | Item no. |
|------------------------------------|----------|
| Additional high limiter beige      | 94.7443  |
| Additional high limiter anthracite | 94.7444  |
| Temperature sensor beige           | 94.7438  |
| Temperature sensor anthracite      | 94.7437  |
| Bench sensor beige                 | 94.7439  |
| Bench sensor anthracite            | 94.7440  |