



Technical data sheet

# EOS Compact HP

**Sauna control unit for dry and humid sauna operation.**

Electronic control unit for dry Finnish and humid sauna operation. Compact series feature a modern, slim design housing with a wide range of functions. Compact HP is ideal if you need a simple to use yet modern control unit with all essential functions. Suitable for commercial and private use.

## Your advantages:

- Large colour 3,5" TFT display.
- Modern, slim design housing, only 65 mm depth
- 10 kW switching capacity.
- Easy installation, very simple to use
- 4 user profiles with pre-programmed settings
- Output for light and fan, numerous additional functions
- Made in Germany - quality by EOS

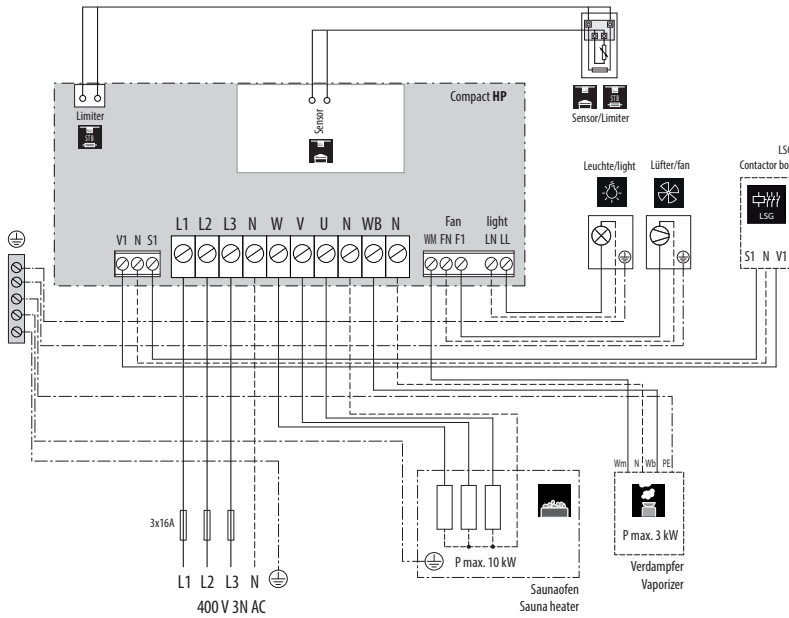
## Specifications and features:

Housing:	Plastic, white or anthracite design
Temperature control:	30° - 115 °C (30° - 70°C in humid mode)
Humidity control:	Proportional to time, 100 steps
Heating time limitation:	6 h, 12 h, 18 h or unlimited
Time preselection:	yes, up to 24 h
Dimensions (HxWxD):	220 x 255 x 65 mm
Switching capacity:	10 kW, extendable (vaporizer 3 kW)
Light output:	230V 1N AC, max 100 W
Fan output:	230V 1N AC, max 100 W
Power supply:	400 V 3N AC 50 Hz
Installation:	Wall-mounting or semi-recessed
Other functions:	Holiday home mode, 4 user profiles, EOSafe support, error messages and others.

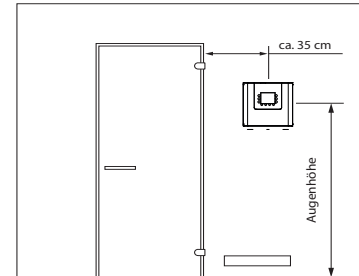


CE EAC IPx4 MADE IN GERMANY 

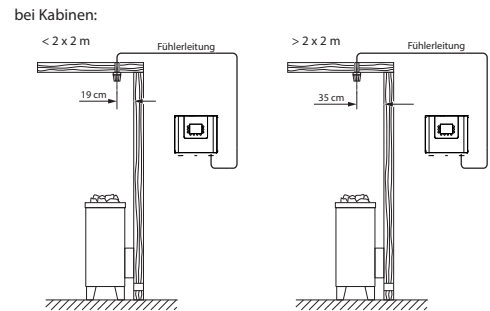
### Connection overview



### Installation



### Sensor installation



### Spare parts and accessories

Description	Item no.
Additional high limiter beige	94.7443
Additional high limiter anthracite	94.7444
Temperature sensor beige	94.7438
Temperature sensor anthracite	94.7437

### Technical specifications

Item no.	Design	Electric connection	Switching power	Power extension	Temperature control range	Light and Fan	Heating time limitation	Sie H/W/D in cm	Ambient temperature by operation	Weight w/out packing
94.7432	Anthracite	400 V 3N AC 50Hz	10 kW, extendable Vaporizer max. 3 kW	possible	30 - 115 °C dry sauna 30 - 70 °C Bi-O	max. 100 W	6 h, 12 h, 18 H / ∞	22 / 25,5 / 6,5	-10° to +40 °C	1,2 kg
94.7428	White									