




Technical Data Sheet

- Exclusive glass display panel
- Modern colour TFT display
- Easy and intuitive operation
- Menu navigation in 19 languages
- Premium functions
- Made in Germany 

EmoStyle H

Premium-class sauna control unit.
For dry and humid sauna operation

Advanced sauna control system for dry and humid sauna operation. Exclusive display panel with front side made of glass. Black or white design. Colour TFT display. Separate relay box.

Suitable both for private and commercial operation.

Features and advantages:

- Luxurious control panel with a stylish glass front, very compact.
- Sauna climate to your preference - from dry to humid.
- Very large scope of function. Additional features like colour light control and music control are optionally available.
- Simple, easy operation via capacitive keys.
- Made in Germany - Quality by EOS

Specifications:

Control panel:	Glass front side, black or white design
Display:	TFT colour display
Menu navigation:	19 languages
Temperature control:	dry sauna mode 30 - 115°C humid mode 30° - 70°C
Humidity control:	proportional to time or as per rel. air humidity with an optional humidity sensor.
Heating time limitation:	6, 12 hours or unlimited
Time pre-selection:	24 h in real time or week timer
Overheating protection:	139 °C safety limit
Switching power:	up to 9 kW (extendable via LSG devices) up to 3 kW vaporizer (humid mode)
Connection:	400 V 3N AC 50 Hz.
Control panel HxWxD:	132 x 135 x 25 mm
Power unit HxWxD:	270 x 300 x 100 mm
Installation:	control panel - installation or attachment, relay box - wall mounting.

Relay box

Connections can be made at the bottom and the rear.



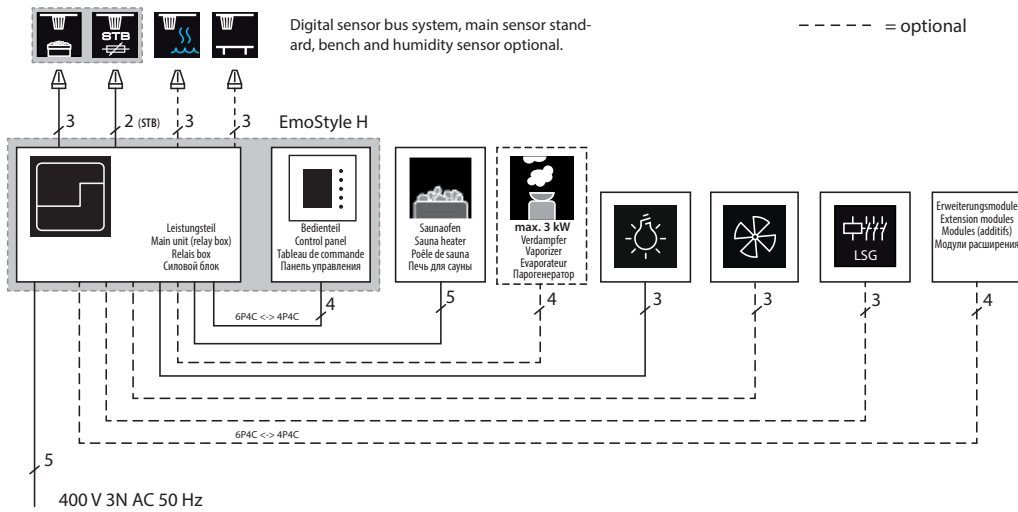
Control panel

Black or white design.
Flush-mounting or surface-mounting installation.

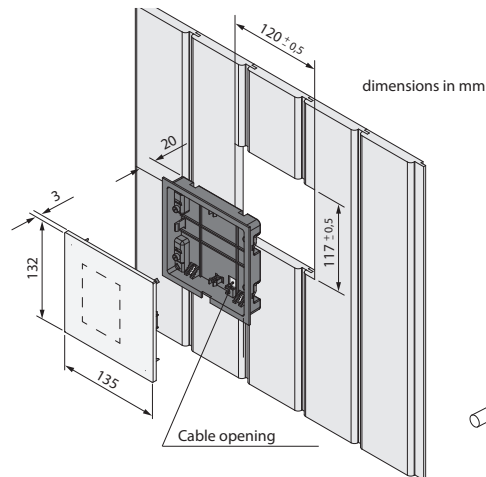


MADE IN GERMANY 

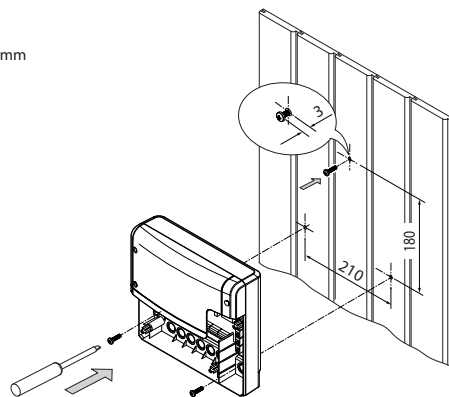
Connection diagram



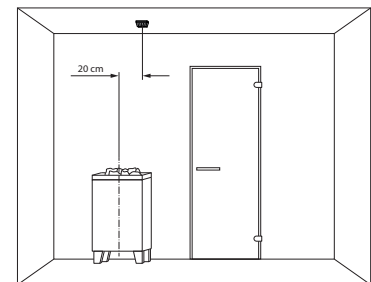
Mounting the control panel



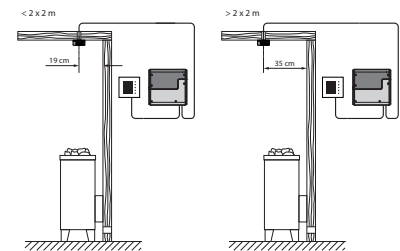
Mounting the power unit



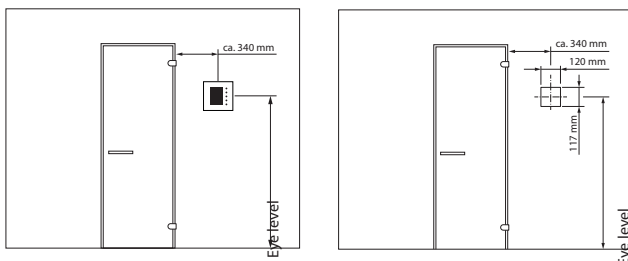
Mounting the sensor



by sauna cabins:



Front view sauna wall



Accessories

Description	Item no.
Digital temperature sensor	94.5743
Overheating fuse (STB)	94.5732
Bench sensor (2nd temperature sensor)	94.5725
Humidity sensor	94.5726

Specifications

Item no.	Power supply	Power output	Control range	Heating time limitation	Timer	Light output	Fan output	Sensor	Control panel (HBT)	Load unit (HBT)
white 94.6315 black 94.6319	400V 3N AC 50 Hz	9.0 kW (extendable)	dry 30° - 115°C humid 30-70°C	6 h / 12 h / 99 unlimited	24 h or week timer	230 V, dimmable, resistive, capac- itive, inductive load.	230 V / max. 150 W, adjustable	Digital "sauna bus", 5 m cable. Optional: bench and humidity sensor	132 x 135 x 25 mm flush-mounting or surface-mounting	270 x 300 x 100 mm wall mounting