




Technical data sheet

- Jog-dial for quick & easy operation
- Menu navigation in 18 languages
- Slim size remote control panel
- Easy to install, easy to use
- Full range of premium functions
- Made in Germany 

Emotec D

Premium-class sauna control unit for dry (Finnish) sauna operation.

Advanced sauna control unit with a remote control panel and a separate relay box. Includes digital sensor with 5 m cable.

Innovative operation concept with jog-dial switch, quick access to all functions. Great for domestic and commercial use.

Features and benefits:

- Compact-size control panel with a colour TFT display with flush-mounted or surface-mounted installation.
- Choice of two designs: anthracite/silver & white/silver.
- Display panel installation at up to 100 m distance possible.
- Menu navigation in 18 languages (DE, EN, FR, RU, ES, NL, IT, PL, SLO, FIN, TR, CZ, RO, BG, HU, HR, SK, DK).
- Jog-dial switch allows quick and simple access to all functions.
- Separate pin code protected level for service & setup settings.
- Dual timer: 24 h single event or week timer (4 programs/day).
- Firmware updates on site possible (micro SD card required).
- Digital temperature control, 30° - 115°C range.
- Output for cabin light - dimmable.
- Output for cabin ventilation fan - adjustable speed.
- Potential-free (volt-free) output.
- Digital type sensor for precise and interference-resistant control. Bench sensor optionally available. 5 m cable standard.
- Additional control features through optional extensions: coloured light control for LED, music control, remote start and operation.
- Switching capacity 9 kW, extendable.
- Power supply 400V 3N AC.
- Made in Germany quality by EOS.

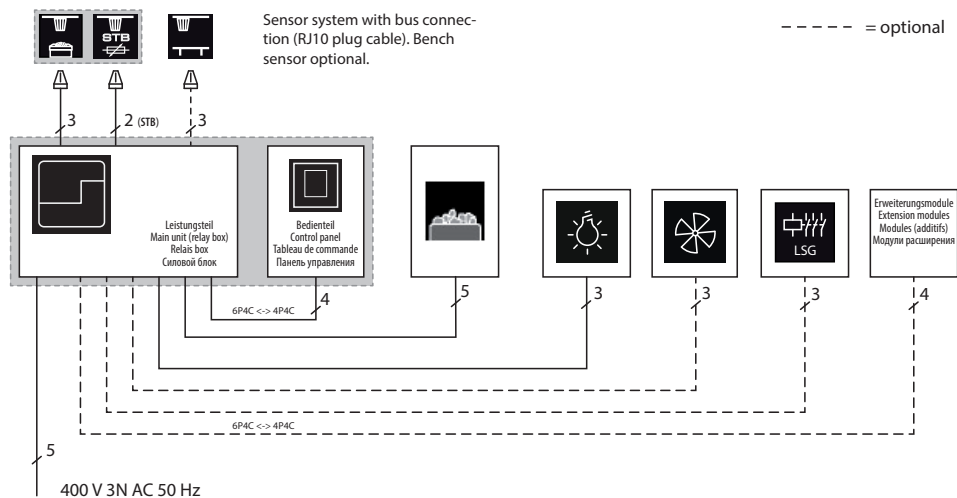


Relay box
Installation- and service-friendly design.

Control panel
Flush-mounted and surface-mounted installation. Anthracite/silver or white/silver design.

CE IPx4 MADE IN GERMANY 

Connection overview



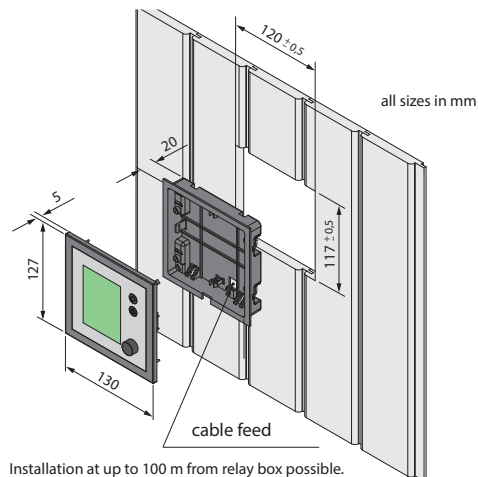
Emotec D can more than just the heating control!

Optional extension modules allow you to control many other features with just one display panel:

- Coloured light effects (LED)
- Music
- Infrared heating
- Remote start or remote control from your smartphone / tablet PC

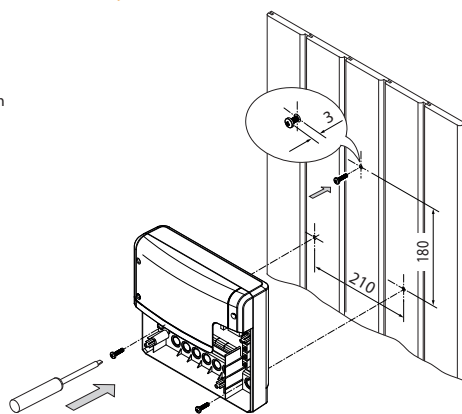
Make more out of your Emotec! Make your sauna a unique experience for all senses!

Control panel installation

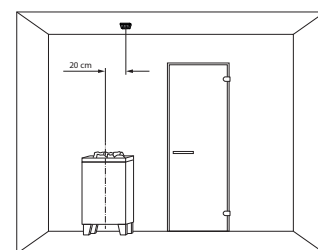


Installation at up to 100 m from relay box possible. Optional display cable required in such case. Standard display cable - 5 m.

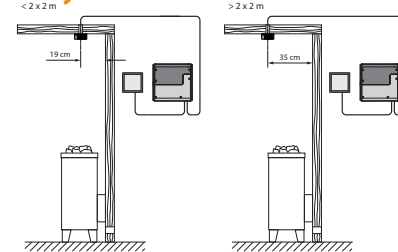
Relay box installation



Sensor installation



by sauna cabins:



Accessories & options

Description	Item no.
2 nd temperature sensor (bench sensor)	94.5725
Display cable 25 m	94.6285
Display cable 50 m	94.6968
Cable for extension module RJ12/RJ12 10 m	94.5861
Cable for extension module RJ12/RJ12 25 m	94.4647

Optional modules

Description	Item no.
SBM-FL75 coloured light module 75 W	94.5996
SBM-FL150 coloured light module 150 W	94.6007
SBM-S BT sound module (Bluetooth)	94.5429
SBM-IR infrared module (for sauna & IR in one)	94.6966

Specifications

Item no.	Electrical connection	Power output	Temp. control range	Heating time limitation	Timer	Cabin light output	Fan output	Sensor system	Control panel (HWD)	Relay box (HWD)
Anthracite 94.5559 White 94.6053	400V 3N AC 50 Hz	9,0 kW (extension possible with LSG)	30° - 115°C	6 h / 12 h / ∞	24 h single event or week timer	230 V, dimmable. Resistive, capacitive, inductive loads	230 V / max. 150 W, adjustable speed	Digital, inc. 5 m cable. 2 nd sensor optional	127 x 130 x 25 mm flush-mounting or surface-mounting	270 x 300 x 100 mm wall-mounting