



Technical data sheet

LSG 18H

Contactor box for power extension for sauna control units, for Bi-0 type heaters

Contactor box with 18 kW switching capacity for power extension for sauna control units. For sauna heaters with vaporizer. Very compact, place-saving design and highly reliable construction.

Your benefits:

- 18 kW switching capacity. In combination with a sauna control unit suitable for sauna heaters up to 27 kW power
- 4 kW switching capacity for vaporizer
- Compact, place-saving design
- Elegant housing with two-part front cover
- Durable, highly reliable construction
- Fast and simple installation
- Connections possible from the bottom and from the rear side
- With integrated fuse rack for individual protection of all three phases (fuses not included)
- Made in Germany quality from EOS

Specifications and features:

Housing:	Shatter-resistant plastic, anthracite / grey with two-part front cover
Switching capacity:	18 kW (sauna heater) 4 kW (vaporizer)
Power supply:	400 V 3N AC 50 Hz
Weight:	ca. 2,8 kg
Dimensions (W x H x D):	270 x 300 x 100 mm
Installation:	Wall-mounting
Cable connections:	bottom or rear side
Item no:	94.5731

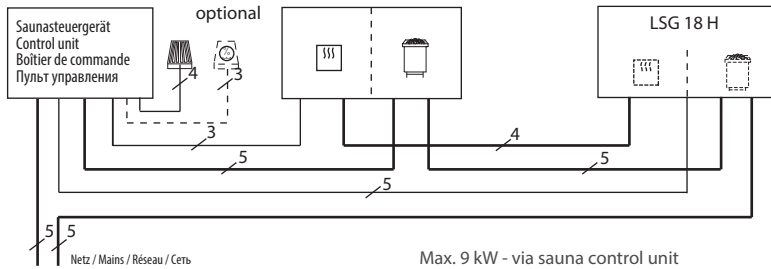


MADE IN GERMANY



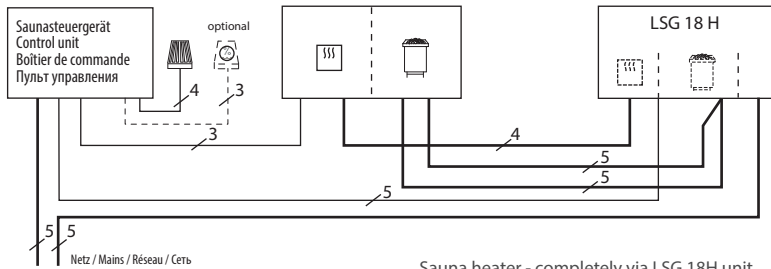
Connection plan

For 2-circuit heaters up to 27 kW



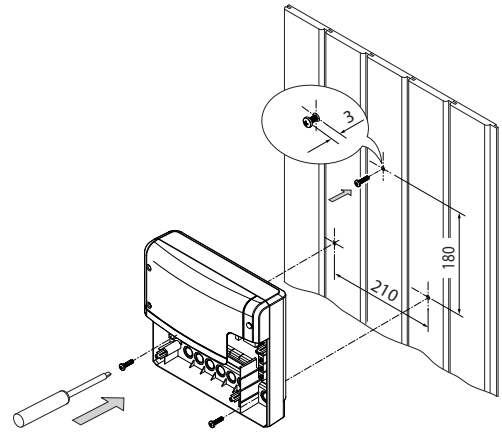
Max. 9 kW - via sauna control unit
 Max. 18 kW - via LSG 18H unit
 Vaporizer up to 4 kW - via LSG 18H

For heaters up to 18 kW (alternative)



Sauna heater - completely via LSG 18H unit
 Vaporizer up to 4 kW - via LSG 18H unit

Installation

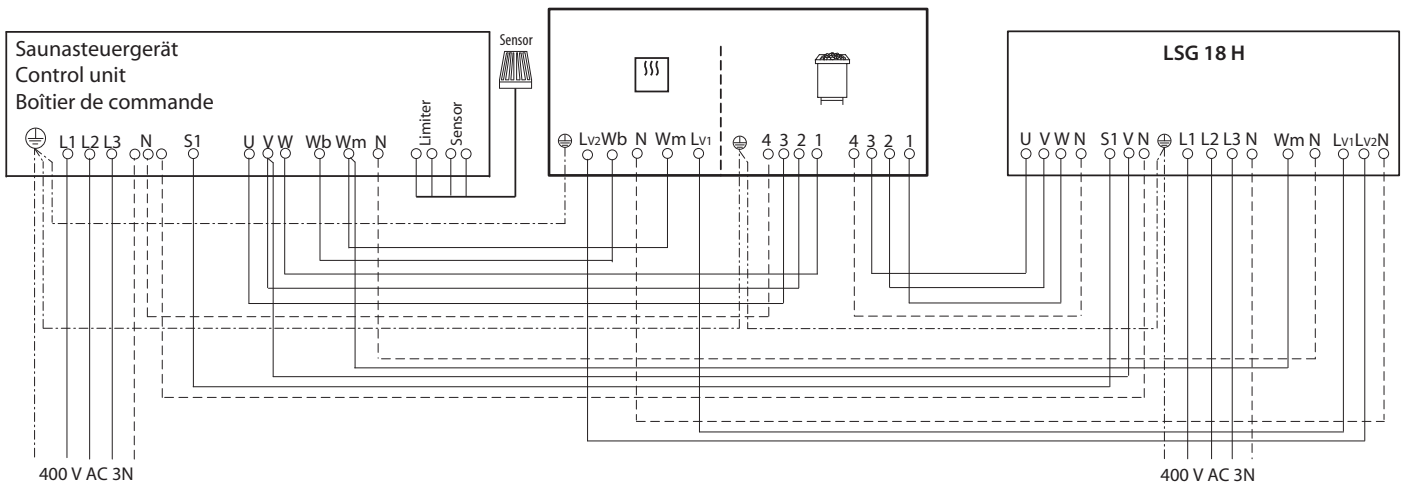


Wall-mounting installation

Notice:

3 fuses of Neozed D02 type are required for operation. Fuses are not included in the delivery scope and shall be provided on site with regards to the connected heater power and max current per each phase.

Wiring diagram



Technical specifications

Item no.	Power supply	Switching capacity (heater)	Switching capacity (vaporizer)	Colour	Dimensions W/H/D	Ambient temperature during operation	Weight without packing
94.5731	400 V 3N AC 50Hz	18,0 kW resistive load	4,0 kW resistive load	anthracite / grey	27 / 30 / 10 cm	-10 to +40 °C	2,8 kg