



SBM-IR infrared module

Infrared module for sauna control units Emotec, EmoStyle, EmoTouch 3

The SBM-IR module allows to control both the sauna and the infrared heating equipment from only one control panel. Universally suitable for all type of IR emitters and foils.

Allows 3 operation modes: sauna, infrared, sauna + infrared.

Advantages and benefits:

- Controls sauna + infrared in one cabin from one controller.
- Three modes: Sauna, infrared, sauna + infrared at once.
- 3 separate channels - 2 x dimmable, 1 x switchable
- Up to 5 individual zones possible - e.g. back, front, feet.
- Up to 3500 W total power output.
- Up to 3 modules can be connected to one sauna controller.
- Suitable for Emotec, EmoStyle and EmoTouch 3
- Very easy and simple installation
- Made in Germany quality by EOS

Features and Specifications:

Output:	3 separate channels 2 x 1500 W dimmable, 500 W switchable
Power supply:	230 V 1N AC
Heating with IR-foils:	dimming 20 - 100%, 2% increments
Heating with IR emitters:	dimming with 15 / 25 / 33 / 50 / 66 / 75 / 100% stages.
Connections:	2 x RJ12 for sauna control unit 2 x RJ10 for optional sensors
Sensor:	not included, control over the main sensor of the sauna control unit
Size HWD:	270 x 195 x 100 mm



For:

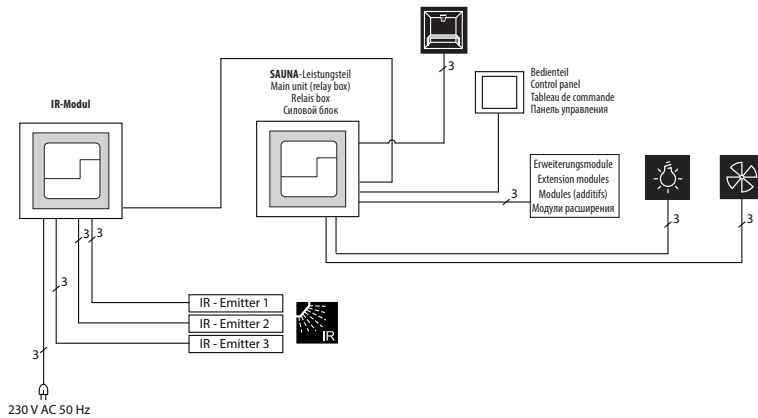
- Emotec-Serie
- EmoStyle-Serie
- EmoTouch 3



Sauna control unit not included.

CE IPx4 MADE IN GERMANY

Connection overview



Installation advice

The SBM-IR module can be used only in connection with one the compatible sauna control units.

Compatible models (stand 10.2018):

- Emotec range
- EmoStyle range
- EmoTouch 3 sauna version

The control unit does not belong to the delivery scopw. The temperature control is effected via the main temperature sensor of the sauna control unit.

Imporant note to power load

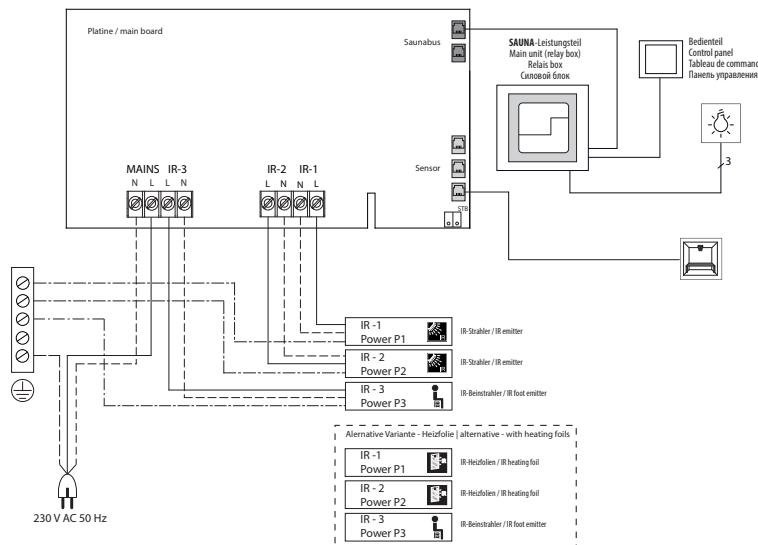
By connection please pay attention not to exceed the total switching capacity 3500 W.

The recommended loads per channel are:

- Output IR-1 - bis 1500 W
- Output IR-2 - bis 1500 W
- Output IR-3 - bis 500 W

It is possible to change the distribution. Please note that if you connect a higher load to e.g. output 1, then you have to appropriately reduce the load on the other outputs.

Connection diagram for two IR emitter types



Specifications

Item no.	Power supply	Power output	Outputs	Temperatur control	Suitable control units	Size, HxWxD
94.6966	230V 1N AC	3.500 W	3 - 2 x dimmable 1 x switchable	30°-70° with sensor or by intensity through dimming of IR emitters	Emotec EmoStyle EmoTouch 3	270 x 195 x 100 mm