



Technical data sheet

SBM-LSG Infrared

IR relay box for IR cabins. For Emotec, EmoStyle, EmoTouch 3 display panels.

The SBM-LSG IR relay box is a stand-alone solution to control infrared cabins in combination with the display panels of Emotec, EmoStyle, EmoTouch 3 series.

By EmoTouch 3 display panel can be used as a stand-alone cabin for multi-cabin control.

Advantages and benefits:

- Controls an infrared cabin with a display panel of your choice - Emotec, EmoStyle, EmoStyle i or EmoTouch 3.
- 3 separate output channels - 2 x dimmable, 1 x switchable
- Up to 5 individual zones possible - e.g. back, front, feet.
- Up to 3500 W total power output.
- Up to 3 modules can be connected to one display panel.
- Very easy and simple installation
- Made in Germany quality by EOS

Features and Specifications:

Output:	3 separate channels - 2 x 1500 W dimmable, 500 W switchable. Cabin light (230V, dimmable).
Power supply:	2 x 230 V 1N AC (with a separate 24V DC power adaptor)
Heating with IR-foils:	dimming 20 - 100%, 2% increments
Heating with IR emitters:	dimming with 15 / 25 / 33 / 50 / 66 / 75 / 100% stages.
Connections:	2 x RJ12 for sauna control unit 2 x RJ10 for optional sensors
Sensor:	included, digital type with 5 m cable
Size HWD:	270 x 195 x 100 mm



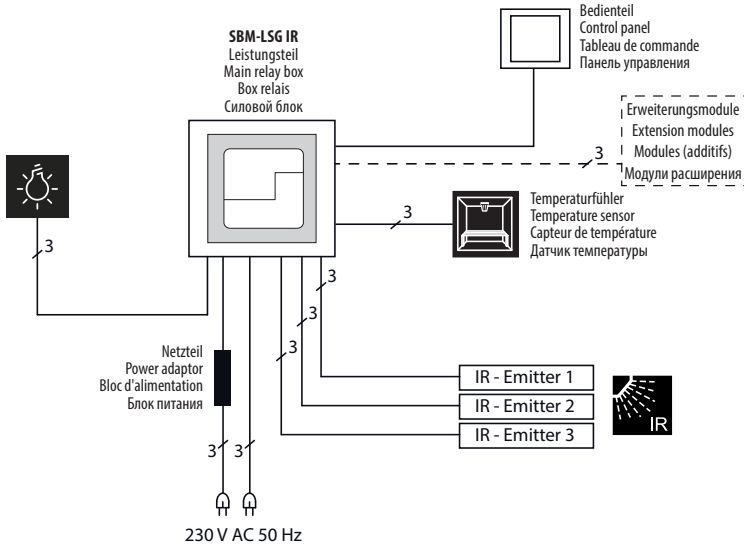
For:

- Emotec-Serie
- EmoStyle-Serie
- EmoTouch 3

Display panel is not included.

CE IPx4 MADE IN GERMANY

Connection overview



Installation advice

The SBM-LSG IR module can be used only in connection with one of the compatible display panels.

Compatible models (stand 10.2018):

- Emotec range
- EmoStyle range
- EmoTouch 3 sauna version

The control panel does not belong to the delivery scope. The temperature control is effected via the included temperature sensor.

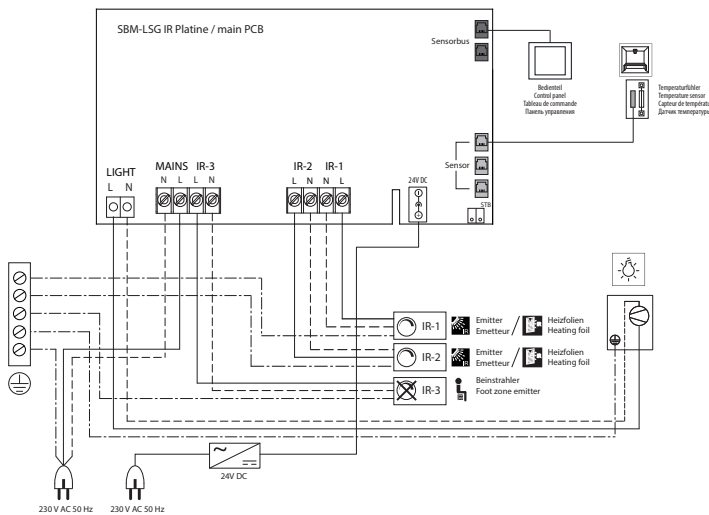
Important note for power load

By connection please pay attention not to exceed the total switching capacity 3500 W and do not overload the separate outputs.

The maximum power loads per channel are:

- Output IR-1 - up to 1500 W
- Output IR-2 - up to 1500 W
- Output IR-3 - up to 500 W

Connection diagram for different IR emitter types



Specifications

Item no.	Power supply	Power output	Outputs	Temperatur control	Suitable display panels	Size, HxWxD
94.6965	230V 1N AC	3.500 W	3 - 2 x dimmable 1 x switchable	30°-70° with sensor or by intensity through dimming of IR emitters	Emotec EmoStyle EmoTouch 3	270 x 195 x 100 mm