



Technical data sheet

ECON D3

**Sauna control unit for dry Finnish sauna.
For commercial sauna cabins.**

Electronic sauna control unit with a large LCD display with multi-language menu navigation. For dry sauna heaters.

Your advantages:

- Illuminated large alpha-numeric multiline LCD display.
- 12 language menu navigation, all functions visible at a glance.
- Heating time limitation up to 6 h, 12 h or unlimited.
- Single event timer or recurring switching timer.
- Modern, slim housing design, only 58 mm thick.
- TÜV approved quality and norm compliance.
- Made in Germany quality from EOS.

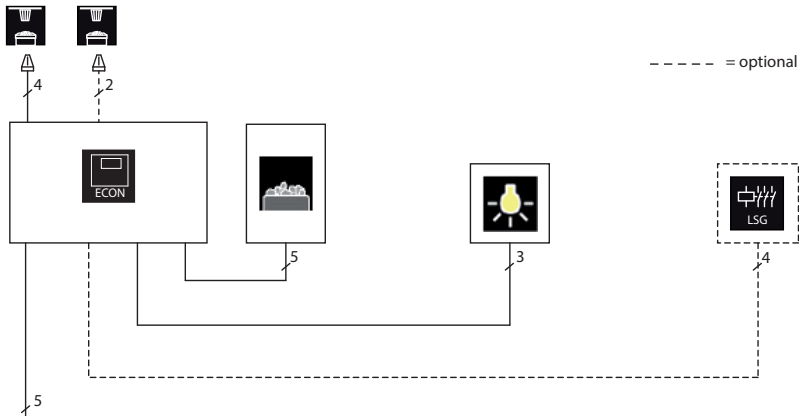
Specifications and features:

Housing:	plastic, creme-white
Display:	LCD display 65 x 33 mm, multiline, alpha-numeric, with backlighting
Menu navigation:	12 languages (DE, EN, FR, ES, IT, NL, RU, PL, FI, SE, SLO, CZ)
Temperature control:	digital two-point, 30 - 115° C
Heating time:	6 hours, 12 hours or unlimited
Timer:	24 h single event or recurring switching
Temperature limitation:	139 °C safety overheating limitation
Switching capacity:	up to 9 kW, power extension possible
Power supply:	400 V 3N AC 50 Hz
Installation:	wall-mounting or semi-recessed
Functions:	4 user profiles, Support for the 2nd sensor, Output for cabin lighting (max. 100 W), Child lock (keypad lock) and Life-Guard, Error messages in clear text, Data retention by power loss (24 h)

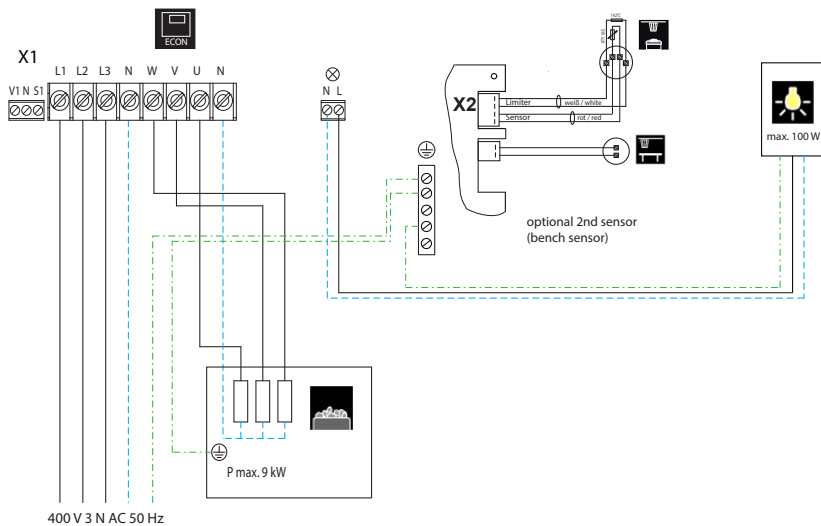


CE IPx4 MADE IN GERMANY

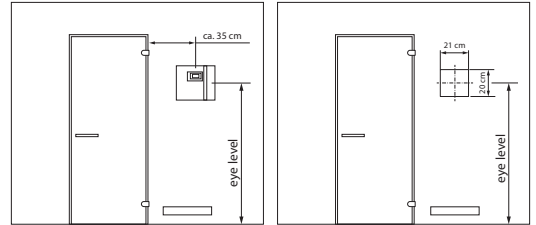
Connection overview



Connection diagram

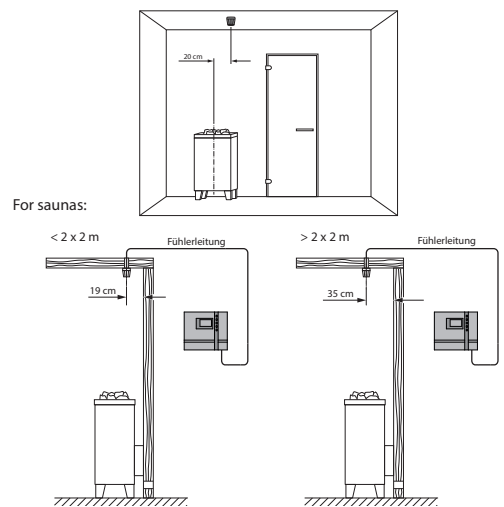


Installation



Wall cut-out (aperture) by semi-recessed mounting

Sensor installation



Spare parts and accessories

Description	Item no.
Temperature sensor, 2 m cable	607570
2nd sensor (bench sensor)	944389
Main board D3 (2-part)	20015626
Button strip	20014892
Housing (upper side)	20014891
Housing (bottom side)	20014890
Display cover 1 (front)	20014913
Cover 2 (buttons)	20014915
Switch-Off rocker switch	20013652

Item no.	Electrical connection	Switching capacity	Power extension via LSG unit	Temperature control range	Start time pre-selection	Cabin light output	Heating time limitation	Dimensions H/W/D in cm	Ambient temperature in operation	Weight without packing
94.6140	400 V 3N AC 50Hz	9,0 kW resistive load	possible	30 - 115 °C	up to 24 hrs	max. 100 W	6 h, 12 h, ∞	22 / 25 / 5,8	-10 to +40 °C	1,0 kg