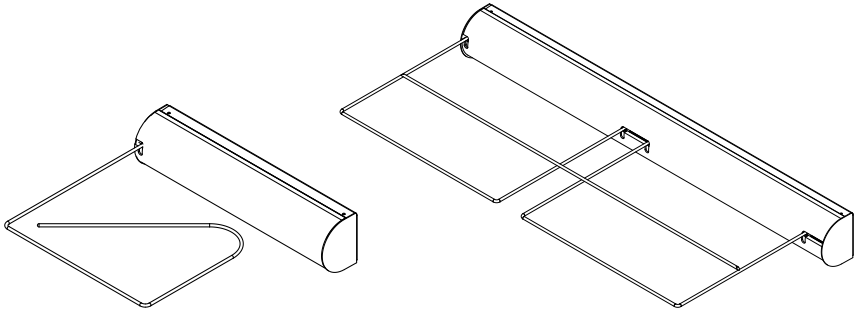


# Safety Guard

with integrated operation



## Installation and operating instructions

**Made in Germany**

## Contents

1. Identification .....	3-4
▪ Manufacturer, copyright, identification, nameplate .....	3
▪ Intended use .....	4
▪ Foreseeable misuse .....	4
▪ General instructions .....	4
2. Scope of delivery .....	15-6
3. Technical data .....	7-9
4. Installation .....	10-12
5. Recycling .....	13
6. Service address.....	13
7. General terms and conditions of service .....	14

# 1. Identification

## 1.1 Manufacturer

EOS Saunatechnik GmbH  
 Schneiderstriesch 1  
 35759 Driedorf, Germany  
 Tel.: +49 2775 82-0  
 Email: info@eos-sauna.com

## 1.2 Copyright

Copyright for these installation instructions remains with EOS Saunatechnik GmbH.  
 Copyright as per DIN ISO 16016:

The copying and distribution of this document, as well as the use and communication of its contents without express authorisation, are not permitted. Compensation will be claimed in the event of infringements. All rights reserved with regard to patent claims or submission of design or utility patent.

## 1.3 Identification

Device name:  
 Safety Guard

## 1.4 Nameplate

The nameplate is attached to the back of the device.



- A. General name
- B. Model name
- C. Item number
- D. Electrical connection
- E. Approval symbols
- F. Country of origin
- G. Manufacturer
- H. Date of production
- I. Serial number

## 1.5 Intended use

Safety guard system for sauna heaters with automatic cut-off in the event of pressure load.

If the switch-off rocker is pushed down by an object, the heating process is interrupted or will not start. If the object is removed, the switch-off rocker will return to its original position and operation continues.

## 1.6 Foreseeable misuse

The following are considered instances of foreseeable misuse:

- The rocker must not rest on the sauna stones.

## 1.7 General instructions

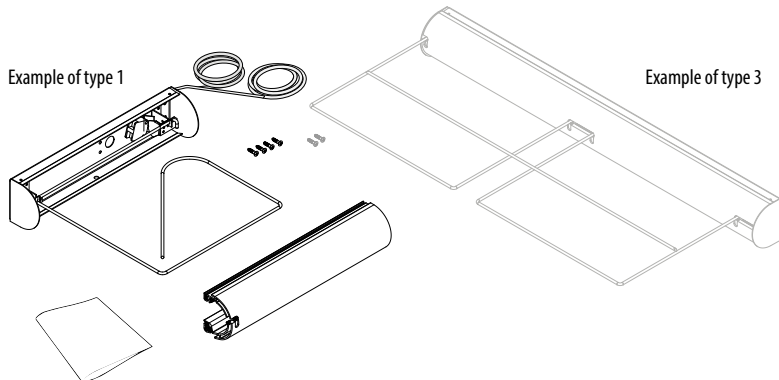
- Sauna heaters for commercial operation, but not those for domestic use, must be equipped with a safety device in the "stand-by" mode for remote control in accordance with EN 603335-2-53.
- By operating your sauna heater with the installed safety guard, the requirements of EN 603335-2-53, paragraph 19.101, for commercial operation are met.
- The sauna heater can no longer be switched on or switches itself off if the heater is covered.
- When filling the sauna heater with sauna stones, make sure that the rocker does not rest on the stones.
- Do not use more than the sauna stones supplied. The rocker must be able to move freely a minimum of 7 cm downwards; otherwise, correct functioning is not guaranteed.
- The installation dimensions for your sauna heater can be found on the following pages. Please observe these dimensions carefully in relation to your heater.
- In the event of improper or faulty electrical installation, there is a danger to life from electric shock and fire. This danger still exists after the installation work has been completed.
- The electrical installation of the heater, power units and other electrical equipment with a fixed mains connection may only be carried out by a trained electrician from an authorised specialist electrical company.
- Observe the specifications of the applicable technical standards and regulations for electrical installation.
- Disconnect the system from the mains at all poles during all installation and repair work.

## 2. Scope of delivery

Check the delivery to ensure that all components were delivered and that the unit is in proper working order. Contact your distributor if components are missing or damaged. The unit must not be operated if components are missing or damaged.

The following parts are included in the scope of delivery:

- 1 lower part of the safety guard with 2 connecting cables each 2.5 m
- 1 cover
- 4 fixing screws (types 1, 4, 6)
- 6 fixing screws (types 3, 5)
- 1 assembly and instruction booklet

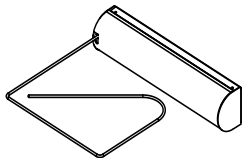


If the safety guard is used in conjunction with the following sauna control units,

- EmoTec D/H
- EmoTouch 3
- EmoStyle D/H/Hi
- Economy series
- Compact series

the control unit does not need to be restarted after any fault has been rectified.

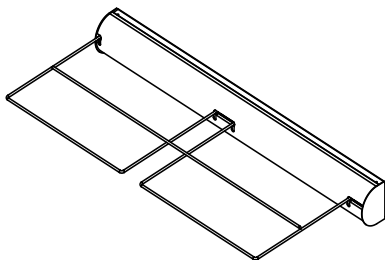
Typ 1



---

dimensions, H x W x D - 140 x 333 x 322

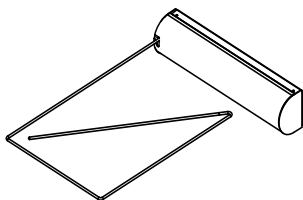
Typ 3



---

dimensions, H x W x D - 140 x 710 x 322

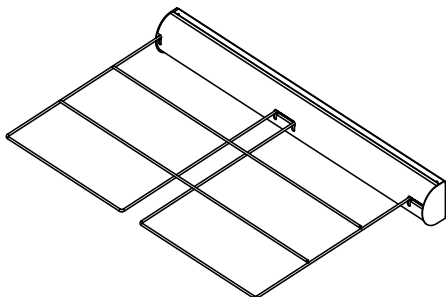
Typ 4



---

dimensions, H x W x D - 140 x 333 x 482

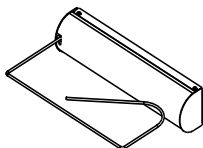
Typ 5



---

dimensions, H x W x D - 140 x 710 x 482

Typ 6



---

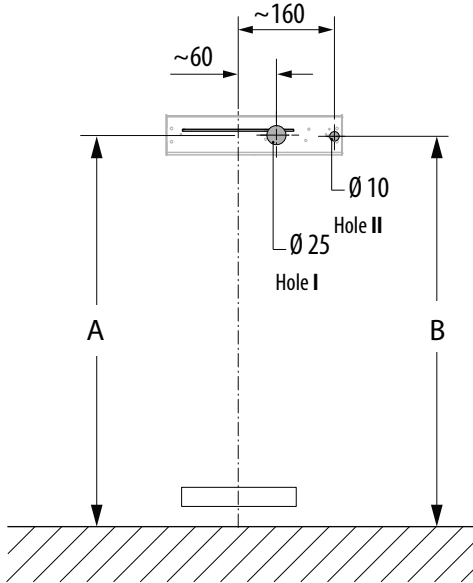
dimensions, H x W x D - 140 x 333 x 322

### 3. Technical data

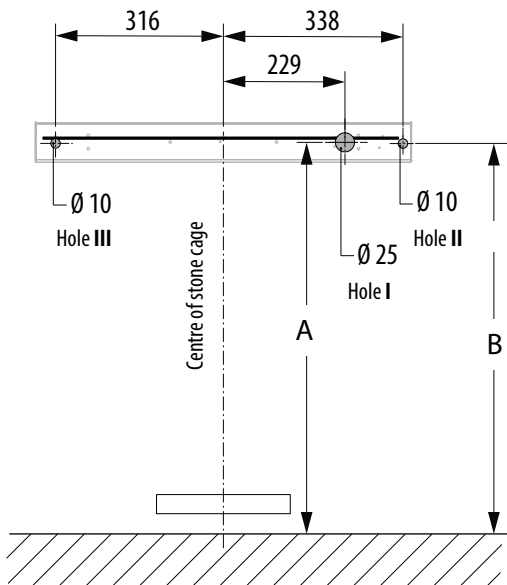
Safety Guard with integrated operation	Type 1	Type 3	Type 4	Type 5	Type 6
Electrical connection	24 V DC control current < 200 mA				
Product code Version	94 8870)	94 8875	94 8876	94 8878	94 8879
Product code, black version	94 8871		94 8877	94 8957	
Product code, anthracite version	94 8872				
Product code, white version	94 8873				
Dimensions in cm, H x W x D	140 x 333 x 322	140 x 710 x 322	140 x 333 x 482	140 x 710 x 482	140 x 333 x 322

► Dimensions and safety gaps

Types 1, 4, 6



Typ 3, 5





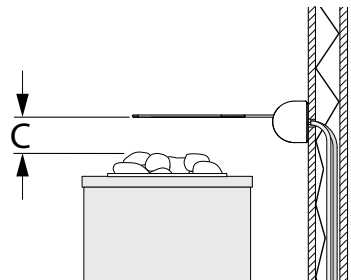
Safety guard - wall mounting									
Saunaofen	Type	Hole I	Hole II	Hole III	Height *A (in mm)	Height *B (in mm)	Height *C (in mm)		
EuroMax	Type 4	Ø 25 mm	Ø 10 mm	Ø 10 mm	988	985	70		
Bi-O Max									
Herkules S25	Type 1				813	810		70	
Herkules S25 Vapor									
Herkules S60	Type 4				913	910		70	
Herkules S60 Vapor									
Herkules XL S50	Type 3			Ø 10 mm	823	820	80		
Herkules XL S50 Vapor									
Herkules XL S120	Type 5			Ø 10 mm	968	965	125		
Herkules XL S120									
Euro	Type 1			Ø 25 mm	Ø 10 mm	Ø 10 mm	853	850	70
Cubo							855	852	142
Mythos		933	930				100		
FinnRock		888	885				135		
P1+	Type 3	Ø 10 mm	Ø 10 mm	783	780	70			
34.G									
Bi-O Star									
Goliath	Type 5	Ø 10 mm	Ø 10 mm	903	900	80			
Filius									
Bi-O Filius	Type 6	Ø 25 mm	Ø 10 mm	Ø 10 mm	878	875	135		
RKS					908	905			
Picco W (Mini)					883	880	110		
Bi-O Picco W (Bi-O Mini)									

\* Height varies; see instructions

## NOTICE

\* Height may vary due to different arrangement of stones!

Please check the switch contact of the safety guard before installation and before positioning the drill holes.



## 4. Installation

This chapter shows how to install the safety guard on the wall.

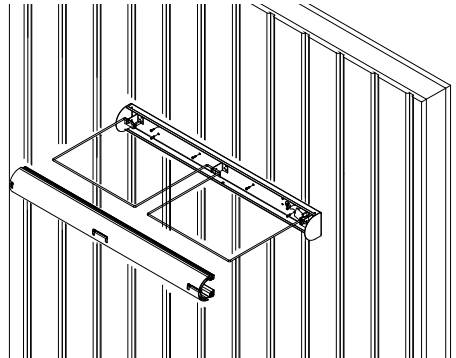
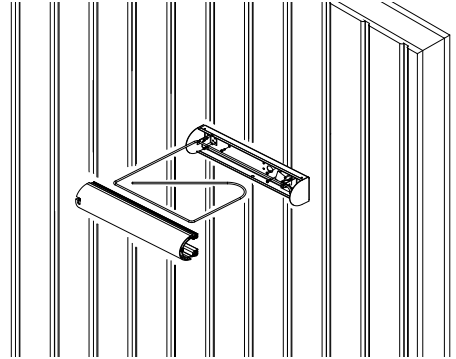
All protective films must be removed.

### ► Installation site

- Installation on the wall above the sauna heater.

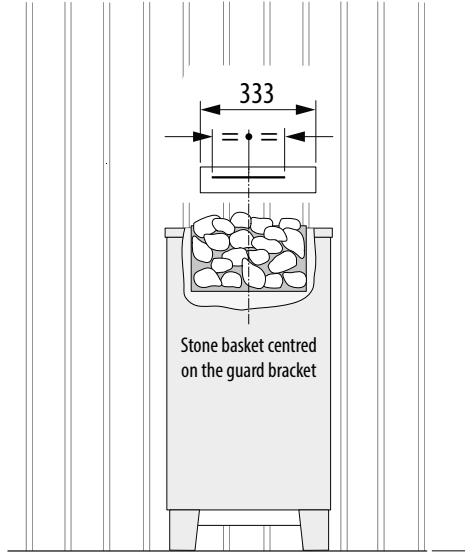
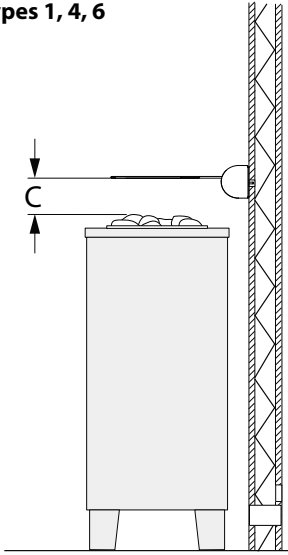
### ► Installation of the safety guard

- Attach the wall bracket (the guard bracket is centred on the stone cage) to the cabin wall using the screws provided.
- Route the two wires of the safety guard through the wall opening created. Observing the circuit diagram, connect one wire to the sauna control unit and the other to the heater sensor on the cabin ceiling.
- During installation, it must be ensured that the ambient temperature in the switch area is not higher than 120°C.

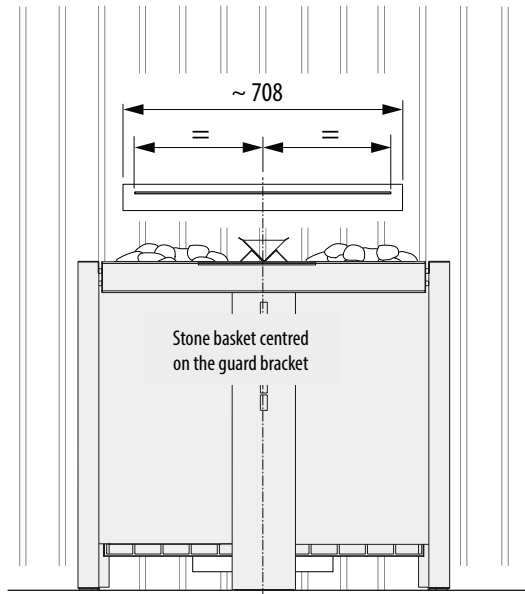
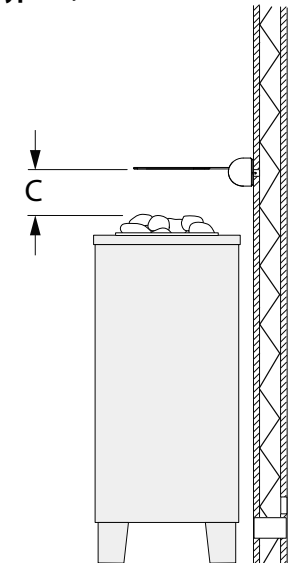


► Dimensions and safety gaps

Types 1, 4, 6

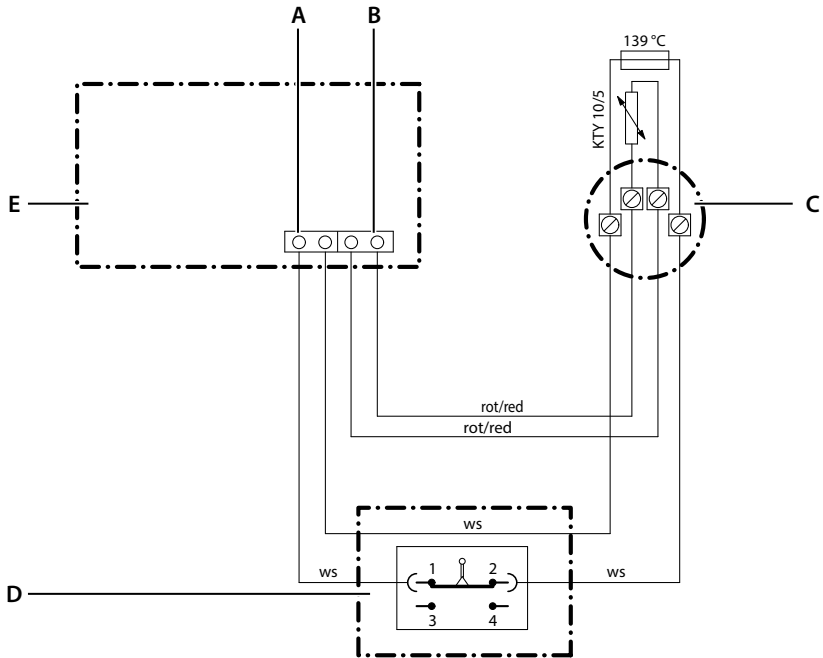


Types 3, 5



### ► Electrical connection

- Connect the wires in the control unit and on the heater sensor, according to the circuit diagram.
- On the switch of the safety guard, only the two outer contact lugs are used.



A. Limiter

B. Sensor

C. Sensor and limiter unit

D. Cover guard

E. Control Unit

### Recycling



Devices or lighting elements that will not be used any longer have to be handed in at a recycling station according to regulation 2012/19/EU.



Do not dispose it with the normal household waste.

### Packaging

The packaging of the unit can be completely separated for disposal and recycled. The following materials are used in the packaging:

- Paper/cardboard
- Plastic foil / plastic

### Electronic waste

Electronic waste must be disposed of at the designated local collection point for electronic waste.

### Additional disposal note for commercial users:

Further disposal instructions can be found under the link [www.eos.sauna.de/recycling](http://www.eos.sauna.de/recycling)

### Service Address

EOS Saunatechnik GmbH  
Schneiderstriesch 1  
35759 Driedorf  
Germany

Tel: +49 (0)2775 82-514  
Fax: +49 (0)2775 82-431  
[servicecenter@eos-sauna.com](mailto:servicecenter@eos-sauna.com)  
[www.eos-sauna.com](http://www.eos-sauna.com)

Please retain this address together with the installation guide for further references.

To help us answer your questions quickly and competently please provide the information printed on the type shield including the model, item no. and serial no., in all inquiries.

-----  
**Date of sale:**

\_\_\_\_\_  
**Stamp and signature of the authorized dealer:**

## General Terms and Conditions of Service

### I. Scope

Unless otherwise agreed in writing in a specific case, these terms and conditions of service shall apply to service operations, including examining and repairing complaints. All our existing or future legal relationships shall be governed solely by the following terms and conditions of service. Our recognition of any conflicting terms and conditions of the Ordering Party shall be conditional upon our having given our express written consent to their applicability. We hereby expressly object to any terms and conditions of the Ordering Party contained in its General Terms and Conditions of Business or order confirmation. If order confirmations or deliveries are accepted without reservation, this shall not be deemed to constitute recognition of such terms and conditions. Any ancillary agreements or amendments must be confirmed in writing.

### II. Costs

The Ordering Party shall bear the following costs in connection with the service operation:

- De-installation/installation and electrical works (connection / disconnection).
- Transportation, postage and packaging.
- Function testing and troubleshooting including inspection and repair costs.

There shall be no third-party billing.

### III. Obligations / Ordering Party's cooperation

The Ordering Party shall provide free-of-charge assistance to the manufacturer in carrying out the service operation.

By an accepted warranty claim the manufacturer shall provide the required replacement parts to the Ordering Party free of charge.

### IV. Service visit by the manufacturer

In the event that it is essential that a manufacturer employee carry out the service operation on site, this must be agreed in advance. Where the main reason for the service call is not the fault of the manufacturer, any costs incurred shall be recharged to the Ordering Party after the service visit and shall be paid as per agreed payment terms.

### V. Liability

The manufacturer shall assume liability in accordance with the currently applicable statutory regulations. The packaging for all of our products is designed for the shipping of individually packed

goods (pallet). We expressly point out that our packaging is not suitable for individual shipments via parcel post. The manufacturer shall accept no liability for damage incurred as a result of improper packaging in an individual shipment.

### VI. Manufacturer's Guarantee

The manufacturer's guarantee shall apply only in the event that installation, operation and maintenance have been carried out in accordance with the manufacturer's specifications contained in the installation instructions and instructions for use.

- The guarantee period shall commence from the date on which proof of purchase is provided and shall be limited, in principle, to 24 months.
- Guarantee services shall be performed only if the original proof of purchase relating to the equipment can be presented.
- Any and all guarantee claims shall become void if modifications are made to the equipment without the manufacturer's express consent.
- Any guarantee claim shall likewise become void in the case of defects that arise due to repairs or interventions made by unauthorized persons or due to improper use.
- In the case of guarantee claims, the serial and article numbers must be indicated together with the product name and a meaningful description of the fault.
- This guarantee shall cover defective equipment parts, with the exception of usual wear parts. Wear parts are, among others, lamps, glass parts, heating elements and sauna stones.
- Only original replacement parts may be used within the warranty.
- Service visits by outside companies shall require a written order to be issued by our service department.
- The equipment in question shall be sent to our service department by the Ordering Party and at its expense.
- Electrical installation and connection works in the event of service or replacement shall be carried out at the Customer's expense and shall not be borne by the manufacturer.

Complaints in respect of our products shall be reported to the responsible authorized dealer and shall be exclusively handled via the latter.

The manufacturers General Terms and Conditions of Business, which can be found at [www.eos-sauna.com/agb](http://www.eos-sauna.com/agb), shall apply in addition to the foregoing terms and conditions of service.

As of 08/2018